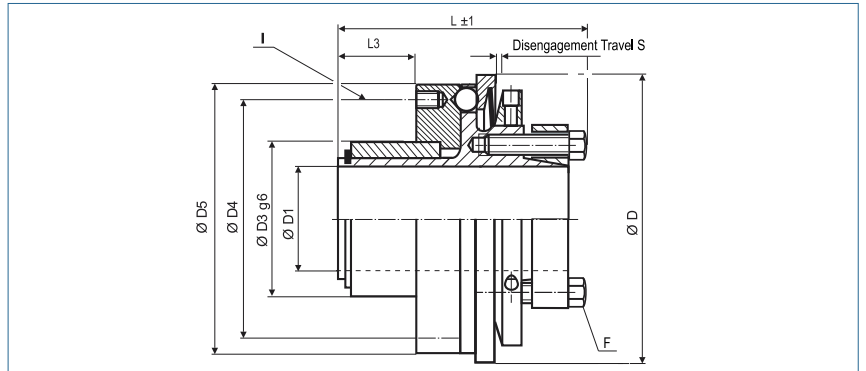


Safety Coupling

with outer cone

optional  
nickel-plated version  
optional full stainless  
steel version



Order Code

**KBK/CA - 60 - 20H7 - 20Nm - C or D - 2**

Type

Size

ØD1  
(H7)

Disengagement  
Torque

Torque  
Range

C = Single Position D = Multi Position Engagement

Size	Dimensions (mm)										Technical Data				
	ØD	Ø D1	Ø D3	Ø D4	Ø D5	L	L3	S	I	F	Torque Range		max. speed (1/min)	Mass (kg)	Moment of Inertia J (kg cm <sup>2</sup> )
	Outer Ø	Bore Size (H7) min~max				Length			6x	Screw ISO4017 TA (Nm)	1 TKN (Nm)	2 TKN (Nm)			
-10	49	5-14 8#	24	30	47	46	8	0.7	M3	M3 2.1	3-7	5-10	12000	0.18	0.4
-30	64	12-20 14#	30	46	60	54	9	1.2	M4	M5 5.9	5-15	10-30	9400	0.53	2.2
-60	79	15-25 18#	36	50	75	69	16	1.2	M5	M5 8.7	13-35	20-65	7800	1	6.1
-80	94	20-35 27#	48	65	90	80	22	2	M6	M6 15	15-40	30-80	6400	1.8	16
-150	94	20-35 27#	48	65	90	80	22	2	M6	M6 15	50-130	65-150	6400	1.8	16
-200	109	20-40 32#	52	70	105	85	25	2	M6	M6 15	30-90	80-200	5500	2	24
-300	119	25-46 38#	58	76	115	101	31	2	M8	M8 25	60-200	150-300	5000	3.2	47
-500	129	35-50 41#	66	110	125	126	33	2	M8	M8 36	80-250	200-500	4500	4.7	84



Keyway

optional acc. DIN 6885

biggest bore marked with a #

Temperature Range

-30 °C ~ 120 °C