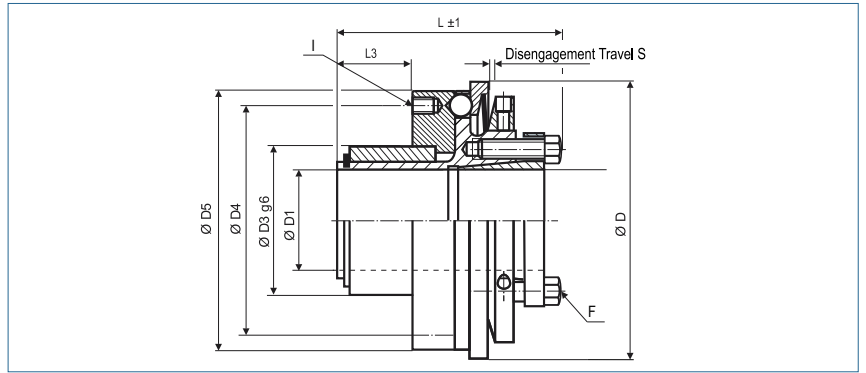


Safety Coupling

with inner cone

optional
nickel-plated version
optional full stainless
steel version



Order Code

KBK/CI - 60 - 20H7 - 20Nm - C or D - 2

Type

Size

ØD1
(H7)

Disengagement
Torque

Torque
Range

C = Single Position D = Multi Position Engagement

| Size | Dimensions (mm) | | | | | | | | | | Technical Data | | | | |
|------|-----------------|------------------------|------|------|------|--------|----|-----|----|-----------------------|----------------|------------|--------------------|-----------|---|
| | ØD | Ø D1 | Ø D3 | Ø D4 | Ø D5 | L | L3 | S | I | F | Torque Range | | max. speed (1/min) | Mass (kg) | Moment of Inertia J (kg cm ²) |
| | Outer Ø | Bore Size (H7) min-max | | | | Length | | | 6x | Screw ISO4017 TA (Nm) | 1 TKN (Nm) | 2 TKN (Nm) | | | |
| -10 | 49 | 6-14 10# | 24 | 30 | 47 | 44 | 8 | 0.7 | M3 | M3 2.1 | 3-7 | 5-10 | 12000 | 0.18 | 0.4 |
| -30 | 64 | 12-20 14# | 30 | 46 | 60 | 51 | 9 | 1.2 | M4 | M5 6 | 5-15 | 10-30 | 9400 | 0.54 | 2.2 |
| -60 | 79 | 15-25 18# | 36 | 50 | 75 | 61 | 16 | 1.2 | M5 | M6 8.5 | 13-35 | 20-65 | 7800 | 1 | 6.2 |
| -80 | 94 | 20-35 27# | 48 | 65 | 90 | 72 | 22 | 2 | M6 | M6 14 | 15-40 | 30-80 | 6400 | 1.7 | 15 |
| -150 | 94 | 20-35 27# | 48 | 65 | 90 | 72 | 22 | 2 | M6 | M6 14 | 50-130 | 65-150 | 6400 | 1.7 | 15 |
| -200 | 109 | 20-40 32# | 52 | 70 | 105 | 77 | 25 | 2 | M6 | M6 14 | 30-90 | 80-200 | 5500 | 2 | 24 |
| -300 | 119 | 25-46 38# | 58 | 76 | 115 | 93 | 31 | 2 | M8 | M8 20 | 60-200 | 150-300 | 5000 | 3.3 | 49 |
| -500 | 129 | 35-50 41# | 66 | 110 | 125 | 112 | 33 | 2 | M8 | M8 26 | 80-250 | 200-500 | 4500 | 4.7 | 83 |



Keyway

optional acc. DIN 6885

biggest bore marked with a #

Temperature Range

-30 °C ~ 120 °C