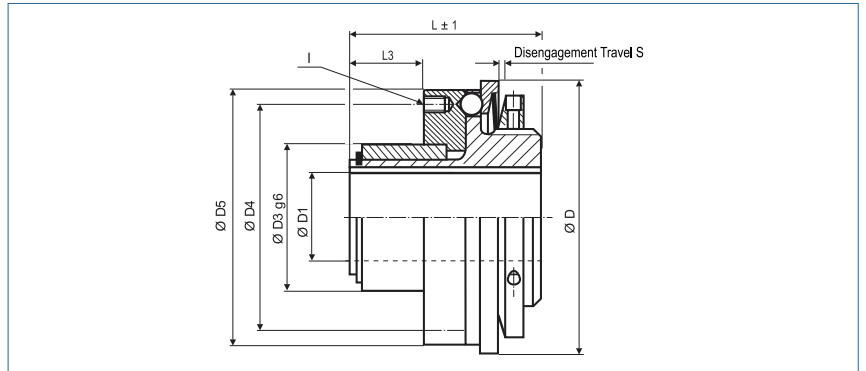


## Safety Coupling

with keyway

optional  
nickel-plated version  
optional full stainless  
steel version



Order Code

**KBK/CP - 60 - N20H7 - 20Nm - C or D - 2**

Type

Size

ØD1  
(H7)

Disengagement  
Torque

Torque  
Range

C = Single Position D = Multi Position Engagement

Size	Dimensions (mm)									Technical Data				
	ØD	Ø D1	Ø D3	Ø D4	Ø D5	L	L3	S	I	Torque Range		max. speed (1/min)	Mass (kg)	Moment of Inertia J (kg cm <sup>2</sup> )
	Outer Ø	Bore Size (H7) min~max				Length			6x	1 TKN (Nm)	2 TKN (Nm)			
-10	49	6-10	24	30	47	34	8	0.7	M3	3-7	5-10	12000	0.15	0.35
-30	64	10-14	30	46	60	40	9	1.2	M4	5-15	10-30	9400	0.45	1.9
-60	79	15-19	36	50	75	48	16	1.2	M5	13-35	20-65	7800	0.83	5.1
-80	94	19-30	48	65	90	58	22	2	M6	15-40	30-80	6400	1.4	12
-150	94	19-30	48	65	90	58	22	2	M6	50-130	65-150	6400	1.4	12
-200	109	20-33	52	70	105	63	25	2	M6	30-90	80-200	5500	1.64	19
-300	119	20-38	58	76	115	75	31	2	M8	60-200	150-300	5000	2.5	38
-500	129	20-42	66	110	125	94	33	2	M8	80-250	200-500	4500	3.8	68



Temperature Range -30 °C ~ 120 °C