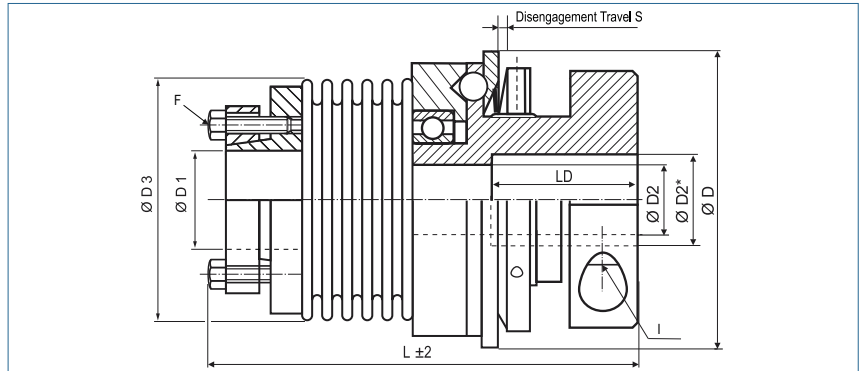


Safety Coupling

with outer cone and collet clamp

optional
nickel-plated version
optional full stainless
steel version

optional
laserwelded



Order Code

KBK/BAK - 60 - 115 - 15H7 - 18H7 - 20Nm - C or D - 2

Type Size Length ØD1 (H7) ØD2 (H7) Disengagement Torque Torque Range
 C = Single Position D = Multi Position Engagement

Size	Dimensions (mm)								Technical Data										
	ØD	L	ØD1	ØD2	ØD3	F	S	I	max. speed (1/min)	Mass (kg)	Moment of Inertia J (kg cm ²)	Torque Range		Spring Stiffness			Misalignment		
	Outer Ø	Length	Bore Size (H7) min~max	Bore Size (H7) min~max		Screw ISO4017 TA (Nm)		Screw ISO4762 TA (Nm)				1 TKN (Nm)	2 TKN (Nm)	torsional x10 ³ CT (Nm/rad)	radial CR (N/mm)	axial CA (N/mm)	radial Δ Kr (mm)	axial Δ Ka (mm)	angular Δ Kw (°)
-10	49	65	5-14	6-16	40.5	M3	0.7	M4	11650	0.27	0.6	3 - 7	5 - 10	8.1	120	27	0.15	0.4	1.5
		74	10#	11#		5.1		6.8											
-30	64	82	12-20	10-20	56	M5	1.2	M6	9540	0.80	3.3	5 - 15	10 - 30	38	720	50	0.15	0.6	1.5
		92	14#	14#		15		28											
-60	79	104	15-32	12-28	66	M5	1.2	M8	8180	1.46	8.9	12 - 35	20 - 60	75	1150	90	0.15	0.6	1.5
		115	24#	21#		36		50											
-80	94	115	20-35	14-35	82	M6	2	M10	6220	3.3	29	15 - 40	30 - 80	128	1200	80	0.2	0.5	1.5
		127	37#	37#		72		75											
-150	94	115	20-35	14-35	82	M6	2	M10	6220	3.3	29	50 - 130	65 - 150	155	2020	145	0.2	0.5	1.5
		127	37#	37#		72		105											
-200	109	122	20-42	22-41	90	M6	2	M12	5720	3.9	46	30 - 90	80 - 200	175	2500	147	0.2	0.5	1.5
		135	34#	33#		125		116											
-300	119	141	25-50	30-50	110	M8	2	M12	5200	5.9	88	60 - 200	150 - 300	502	6300	280	0.2	0.5	1.5
		152	41#	41#		125		285											
-500	129	163	35-55	35-56	122	M8	2	M12	4470	8.5	151	80 - 250	200 - 500	690	7790	100	0.2	0.5	1.5
		175	45#	46#		125		320											

+ Bores	> Ø D2 and ≤ D2* only over LD
Material	outer cone - steel bellows – stainless steel collet clamp - aluminium; from size 80 steel
Keyway	optional acc. DIN 6885 biggest bore marked with a #
Temperature Range	-30 °C ~ 120 °C

Size	2	45	7	10	30	60	80	150	200	300	500
D2*	11	X	20	20	26	31	38	38	X	57	62
LD	15	X	20	20	28	38	34	34	X	42	56