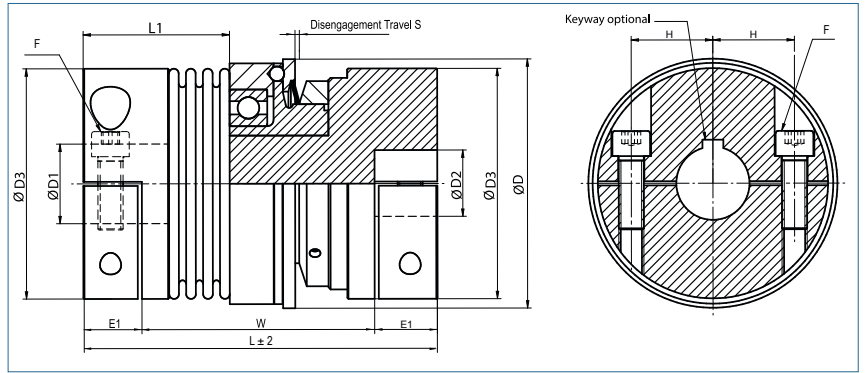


Safety Coupling

with split hubs

optional  
nickel-plated version  
optional full stainless  
steel version

optional  
laserwelded



Order Code

**KBK/BHH - 60 - 114 - 16H7 - 14H7 - 20Nm - C or D - 1**

Type      Size      Length      ØD1 (H7)      ØD2 (H7)      Disengagement Torque      Torque Range  
 C = Single Position    D = Multi Position Engagement

Size	Dimensions (mm)											Technical Data										
	ØD	L	Ø D1	Ø D2	Ø D3	E1	H	F	L1	W	S	max. speed (1/min)	Mass (kg)	Moment of Inertia J (kg cm <sup>2</sup> )	Torque Range		Spring Stiffness			Misalignment		
	Outer Ø	Length	Bore Size (H7) min-max	Bore Size (H7) min-max	Hub Ø		Screw ISO4762 TA (Nm)								1 TKN (Nm)	2 TKN (Nm)	torsional x10 <sup>3</sup> CT (Nm/rad)	radial CR (N/mm)	axial CA (N/mm)	radial Δ Kr (mm)	axial Δ Ka (mm)	angular Δ Kw (°)
-10	49	72	6-25	6-25	40	9	15.5	M4	34	54	0.7	11690	0,429	1,198	3	5	8.1	120	27	0.15	0.4	1.5
		5.1						43	63	7					10	6.8	29	17	0.3	0.6	2	
-30	64	99	10-32	10-20	56	17	20	M6	42	65	1.2	9540	0,891	3,957	5	10	38	720	50	0.15	0.6	1.5
		15	51					73	15	30					28	225	28	0.25	1	2		
-60	79	116	12-32	12-28	66	22	23	M8	50	72	1.2	8180	1,523	9,705	12	20	75	1150	90	0.15	0.6	1.5
		36	60					83	35	60					50	340	50	0.25	1	2		
-80	94	136	14-42	14-35	82	24	28	M10	60	86	2	6220	2,967	26,428	15	30	128	1200	80	0.2	0.5	1.5
		72	72					98	40	80					75	400	50	0.25	0.8	2		
-150	94	136	19-42	14-35	82	24	28	M10	60	86	2	6220	2,967	26,428	50	65	155	2020	145	0.2	0.5	1.5
		72						72	98	130					150	105	595	85	0.25	0.8	2	
-200	109	146	22-45	22-41	90	24	31	M12	66	92	2	5720	3,611	45,831	30	80	175	2500	147	0.2	0.5	1.5
		125						78	105	90					200	116	460	82	0.25	0.8	2	
-300	119	171	30-60	30-50	110	30	39	M12	72	112	2	5200	5,561	92,694	60	150	502	6300	280	0.2	0.5	1.5
		145						83	122	200					300	285	1400	145	0.25	0.8	2	
-500	129	189	35-65	35-56	122	35	42	M12	81	118	2	4470	9,307	194,726	80	200	690	7790	100	0.2	0.5	1.5
		145						92	130	250					500	320	970	85	0.25	1	2	

<b>Material</b>	bellows – stainless steel hub - aluminium
<b>Keyway</b>	optional acc. DIN 6885 biggest bore marked with a #
<b>Temperature Range</b>	-30 °C ~ 120 °C