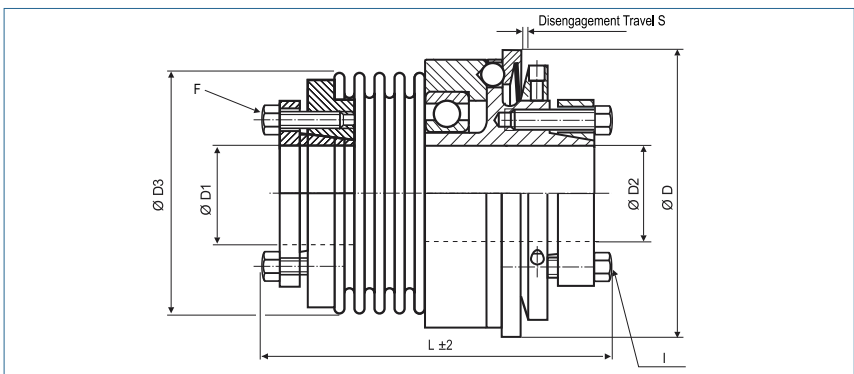


Safety Coupling

with inner cone and outer cone

optional
nickel-plated version
optional full stainless
steel version

optional
laserwelded



Order Code **KBK/BIA - 60 - 100 - 15H7 - 18H7 - 20Nm - C or D - 2**

Type Size Length ØD1 (H7) ØD2 (H7) Disengagement Torque Torque Range
 C = Single Position D = Multi Position Engagement

Size	Dimensions (mm)								Technical Data										
	ØD	L	ØD1	ØD2	ØD3	F	S	I	max. speed (1/min)	Mass (kg)	Moment of Inertia J (kg cm ²)	Torque Range		Spring Stiffness			Misalignment		
	Outer Ø	Length	Bore Size (H7) min-max	Bore Size (H7) min-max	Screw ISO4017 TA (Nm)	Screw ISO4017 TA (Nm)	1 TKN (Nm)	2 TKN (Nm)				torsional x10 ³ CT (Nm/rad)	radial CR (N/mm)	axial CA (N/mm)	radial Δ Kr (mm)	axial Δ Ka (mm)	angular Δ Kw (°)		
-10	49	69	6-14	5-14	40.5	M3	0.7	M3	11650	0.27	0.6	3 - 7	5 - 10	8.1	120	27	0.15	0.4	1.5
		79	10#	10#		2.1		6.8				29	17	0.3	0.6	2			
-30	64	74	12-20	12-20	56	M5	1.2	M5	9540	0.75	3.1	5 - 15	10 - 30	38	720	50	0.15	0.6	1.5
		83	14#	14#		5.9		28				225	28	0.25	1	2			
-60	79	89	15-25	15-30	66	M6	1.2	M5	8180	1.43	8.8	12 - 35	20 - 60	75	1150	90	0.15	0.6	1.5
		100	18#	22#		8.5		50				340	50	0.25	1	2			
-80	94	108	20-35	20-35	82	M6	2	M6	6220	2.5	22	15 - 40	30 - 80	128	1200	80	0.2	0.5	1.5
		120	27#	27#		14		75				400	50	0.25	0.8	2			
-150	94	108	20-35	20-35	82	M6	2	M6	6220	2.5	22	50 - 130	65 - 150	155	2020	145	0.2	0.5	1.5
		120	27#	27#		14		105				595	85	0.25	0.8	2			
-200	109	110	20-40	20-42	90	M6	2	M6	5720	2.9	34	30 - 90	80 - 200	175	2500	147	0.2	0.5	1.5
		123	32#	34#		14		116				460	82	0.25	0.8	2			
-300	119	132	25-50	25-50	110	M8	2	M8	5200	4.9	73	60 - 200	150 - 300	502	6300	280	0.2	0.5	1.5
		143	41#	41#		18		285				1400	145	0.25	0.8	2			
-500	129	149	35-55	35-55	122	M8	2	M8	4470	6.8	120	80 - 250	200 - 500	690	7790	100	0.2	0.5	1.5
		160	45#	45#		26		320				970	85	0.25	1	2			
-800	169	243	50-70	50-70	157	M16	2	M12	3350	18	516	240 - 600	500 - 800	700	500	185	0.2	0.8	1.8
			58#	58#		45													
-1400	169	243	50-70	50-70	157	M16	2	M12	3350	18	520	360 - 1000	900 - 1400	1270	700	275	0.2	0.8	1.8
			58#	58#		80													

Material outer cone - steel
 bellows – stainless steel
 inner cone - steel

Keyway optional acc. DIN 6885
 biggest bore marked with a #

Temperature Range -30 °C ~ 120 °C