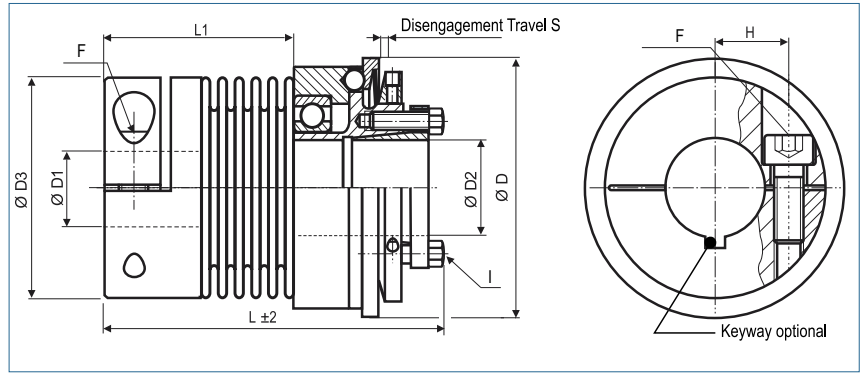


Safety Coupling

with collet clamp and inner cone

optional  
nickel-plated version  
optional full stainless  
steel version

optional  
laserwelded



Order Code

**KBK/BKI - 60 - 100 - 16H7 - 14H7 - 20Nm - C or D - 1**

Type      Size      Length      ØD1 (H7)      ØD2 (H7)      Disengagement Torque      Torque Range  
 C = Single Position    D = Multi Position Engagement

Size	Dimensions (mm)										Technical Data										
	ØD	L	Ø D1	Ø D2	Ø D3	H	F	L1	I	S	max. speed (1/min)	Mass (kg)	Moment of Inertia J (kg cm²)	Torque Range		Spring Stiffness			Misalignment		
	Outer Ø	Length	Bore Size (H7) min-max	Bore Size (H7) min-max	Hub Ø	Screw ISO4762 TA (Nm)	Screw ISO4017 TA (Nm)	1 TKN (Nm)	2 TKN (Nm)	torsional x10³ CT (Nm/rad)				radial CR (N/mm)	axial CA (N/mm)	radial Δ Kr (mm)	axial Δ Ka (mm)	angular Δ Kw (°)			
-10	49	65	6-25	6-14	40	15.5	M4	34	M3	0.7	11690	0.24	0.6	3-7	5-10	8.1	120	27	0.15	0.4	1.5
		75					10#	10#	5.1					43	2.1	6.8	29	17	0.3	0.6	2
-30	64	77.5	10-32	12-20	56	20	M6	40.5	M5	1.2	9540	0.72	3.0	5-15	10-30	38	720	50	0.15	0.6	1.5
		86.5					30#	14#	15					48.5	6	28	225	28	0.25	1	2
-60	79	90	12-32	15-25	66	23	M8	50	M6	1.2	8180	1.3	7.9	12-35	20-60	75	1150	90	0.15	0.6	1.5
		100					18#	18#	36					60	8.5	50	340	50	0.25	1	2
-80	94	106	14-42	20-35	82	28	M10	57.5	M6	2	6220	2.84	25	15-40	30-80	128	1200	80	0.2	0.5	1.5
		118					27#	27#	72					68.5	14	75	400	50	0.25	0.8	2
-150	94	106	19-42	20-35	82	28	M10	57.5	M6	2	6220	2.84	25	50-130	65-150	155	2020	145	0.2	0.5	1.5
		118					27#	27#	72					68.5	14	105	595	85	0.25	0.8	2
-200	109	113	22-45	20-40	90	31	M12	63	M6	2	5720	3.48	41	30-90	80-200	175	2500	147	0.2	0.5	1.5
		126					32#	32#	125					75	14	116	460	82	0.25	0.8	2
-300	119	131	30-60	25-45	110	39	M12	67	M8	2	5200	5.35	80	60-200	150-300	502	6300	280	0.2	0.5	1.5
		141					37#	37#	125					78	18	285	1400	145	0.25	0.8	2
-500	129	140	35-70	35-55	122	42	M12	70	M8	2	4470	7.54	134	80-250	200-500	690	7790	100	0.2	0.5	1.5
		151					45#	45#	125					81	26	320	970	85	0.25	1	2

<b>Material</b>	bellows – stainless steel collet clamp (size 2 to size 60): aluminium collet clamp (size 80 to size 500): steel inner cone: steel
<b>Keyway</b>	optional acc. DIN 6885 biggest bore marked with a #
<b>Temperature Range</b>	-30 °C ~ 120 °C