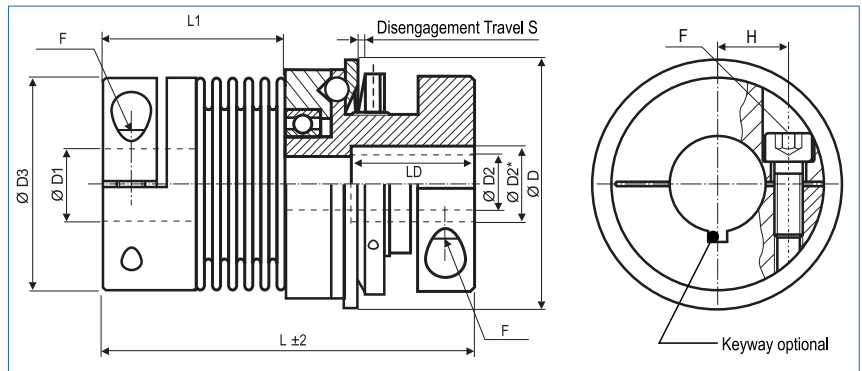


Safety Coupling

with collet clamp

optional
nickel-plated version
optional full stainless
steel version

optional
laserwelded



Order Code

KBK/BKK - 60 - 105 - 16H7 - 14H7 - 20Nm - C or D - 1

Type Size Length ØD1 (H7) ØD2 (H7) Disengagement Torque Torque Range
 C = Single Position D = Multi Position Engagement

Size	Dimensions (mm)									Technical Data											
	ØD	L	Ø D1	Ø D2	Ø D3	H	F	L1	S	max. speed (1/min)	Mass (kg)	Moment of Inertia J (kg cm²)	Torque Range		Spring Stiffness			Misalignment			
	Outer Ø	Length	Bore Size (H7) min-max	Bore Size (H7) min-max	Hub Ø	Screw ISO4762 TA (Nm)			1 TKN (Nm)				2 TKN (Nm)	torsional x10³ CT (Nm/rad)	radial CR (N/mm)	axial CA (N/mm)	radial Δ Kr (mm)	axial Δ Ka (mm)	angular Δ Kw (°)		
-2	29	46	3-14	3-8	25	9	M3	21	0.7	13200	0.08	0.06	0.2 - 1.5	0.5 - 2	1.5	67	12	0.15	0.3	1.5	
		52						27							1.3	21	11	0.20	0.4	1.5	
		56						31							1.0	11	9	0.25	0.5	2	
-4.5	36	57	6-16	6-13 9#	32.5	12	M4	27	0.7	12300	0.16	0.26	1 - 3	3 - 6	6.5	168	32	0.1	0.3	1.5	
		65						3.5							36	4.2	41	20	0.2	0.5	2
-7	49	65	6-25	6-16 11#	40	15.5	M4	34	0.7	11690	0.25	0.58	1 - 4	3 - 7	8.1	120	27	0.15	0.4	1.5	
		75						5.1							43	6.8	29	17	0.3	0.6	2
-10	49	65	6-25	6-16 11#	40	15.5	M4	34	0.7	11690	0.25	0.6	3 - 7	5 - 10	8.1	120	27	0.15	0.4	1.5	
		75						5.1							43	6.8	29	17	0.3	0.6	2
-30	64	85	10-32 30#	10-20 14#	56	20	M6	40.5	1.2	9540	0.77	3.2	5 - 15	10 - 30	38	720	50	0.15	0.6	1.5	
		94						15							48.5	28	225	28	0.25	1	2
-60	79	105	12-32	12-28 21#	66	23	M8	50	1.2	8180	1.34	8.2	12 - 35	20 - 60	75	1150	90	0.15	0.6	1.5	
		115						36							60	50	340	50	0.25	1	2
-80	94	113	14-42	14-35 27#	82	28	M10	57.5	2	6220	3.52	31	15 - 40	30 - 80	128	1200	80	0.2	0.5	1.5	
		125						72							68.5	75	400	50	0.25	0.8	2
-150	94	113	19-42	14-35 27#	82	28	M10	57.5	2	6220	3.52	31	50 - 130	65 - 150	155	2020	145	0.2	0.5	1.5	
		125						72							68.5	105	595	85	0.25	0.8	2
-200	109	125	22-45	22-41 33#	90	31	M12	63	2	5720	4.45	53	30 - 90	80 - 200	175	2500	147	0.2	0.5	1.5	
		138						125							75	116	460	82	0.25	0.8	2
-300	119	140	30-60	30-50 41#	110	39	M12	67	2	5200	6.47	97	60 - 200	150 - 300	502	6300	280	0.2	0.5	1.5	
		150						125							78	285	1400	145	0.25	0.8	2
-500	129	158	35-70	35-56 46#	122	42	M12	70	2	4470	9.22	164	80 - 250	200 - 500	690	7790	100	0.2	0.5	1.5	
		170						125							81	320	970	85	0.25	1	2

Bore	> Ø D2 and ≤ D2* only over LD
Material	bellows – stainless steel collet clamp (size 2 to size 60): aluminium collet clamp (size 80 to size 500): steel
Keyway	optional acc. DIN 6885 biggest bore marked with a #
Temperature Range	-30 °C ~ 120 °C

Size	2	45	7	10	30	60	80	150	200	300	500
D2*	11	X	20	20	26	31	38	38	X	57	62
LD	15	X	20	20	28	38	34	34	X	42	56