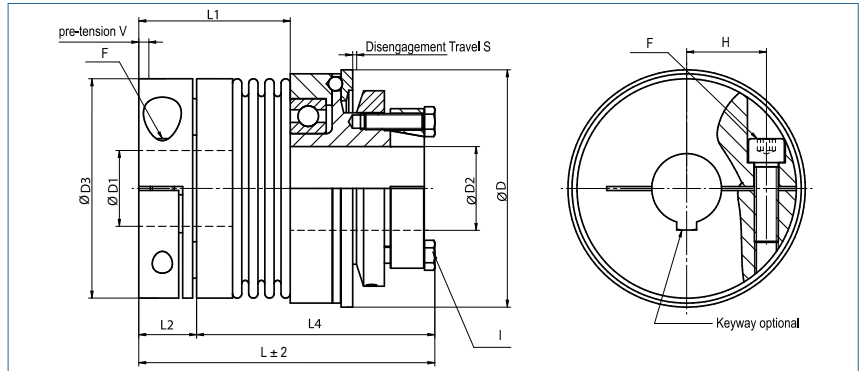


Safety Coupling

axial pluggable, with outer cone

optional
nickel-plated version
optional full stainless
steel version

optional
laserwelded



Order Code

KBK/BKPA-60 - 104 - 20H7 - 25H7 - 20Nm - C or D - 1

Type Size Length ØD1 (H7) ØD2 (H7) Disengagement Torque Torque Range

C = Single Position D = Multi Position Engagement

Size	Dimensions (mm)										Technical Data										
	ØD	L	Ø D1	Ø D2	Ø D3	H	F	L1	I	S	max. speed (1/min)	Mass (kg)	Moment of Inertia J (kg cm²)	Torque Range		Spring Stiffness			Misalignment		
	Outer Ø	Length	Bore Size (H7) min-max	Bore Size (H7) min-max	Narben-durchmesser	Screw ISO4762 TA (Nm)	Screw ISO4017 TA (Nm)	1 TKN (Nm)	2 TKN (Nm)	torsional x10° CT (Nm/rad)				radial CR (N/mm)	axial CA (N/mm)	radial Δ Kr (mm)	axial Δ Ka (mm)	angular Δ Kw (°)			
-10	49	75 85	6-25 18#	5-12 8#	40	15.5	M4 5.1	42 51	M3 2.1	0.7	11690	0,32	0,85	3 - 7 5 - 10	8.1 6.8	120 29	27 17	0.15 0.3	0.4 0.6	1.5 2	
-30	64	88 97	10-30 22#	12-20 14#	56	20	M6 15	47 55	M5 5.9	1.2	9540	0,72	3,38	5 - 15 10 - 30	38 28	720 225	50 28	0.15 0.25	0.6 1	1.5 2	
-60	79	104 114	12-35 27#	15-30 22#	66	23	M8 40	56 66	M5 8.7	1.2	8180	1,22	8,79	12 - 35 20 - 60	75 50	1150 340	90 50	0.15 0.25	0.6 1	1.5 2	
-80	94	119 130	14-44 36#	20-35 27#	82	28	M10 72	62 73	M6 15	2	6220	2,11	22,71	15 - 40 30 - 80	128 75	1200 400	80 50	0.2 0.25	0.5 0.8	1.5 2	
-150	94	119 130	19-44 36#	20-35 27#	82	28	M10 84	62 73	M6 15	2	6220	2,11	22,71	50 - 130 65 - 150	155 105	2020 595	145 85	0.2 0.25	0.5 0.8	1.5 2	
-200	109	126 139	22-48 39#	20-42 34#	90	31	M12 125	67 79	M6 15	2	5720	2,8	39,44	30 - 90 80 - 200	175 116	2500 460	147 82	0.2 0.25	0.5 0.8	1.5 2	
-300	119	149 159	20-60 50#	25-50 41#	110	39	M12 145	76 87	M8 25	2	5200	3,8	70,27	60 - 200 150 - 300	502 285	6300 1400	280 145	0.2 0.25	0.5 0.8	1.5 2	
-500	129	178 189	25-70 58#	35-55 45#	122	42	M12 145	94 105	M8 36	2	4470	5,85	130,63	80 - 250 200 - 500	690 320	7790 970	100 85	0.2 0.25	0.5 1	1.5 2	



Material outer cone -steel
 bellows – stainless steel
 plug hub- aluminium

Keyway optional acc. DIN 6885
 biggest bore marked with a #

Temperature Range -30 °C ~ 120 °C

	Dimensions (mm)			
	E1	L2	L3	V
KBK/KBPA 10	12	13	21	0.5-1.0
KBK/KBPA 30	17	19	31	0.5-1.0
KBK/KBPA 60	21	23	35	0.5-1.5
KBK/KBPA 80	21.5	23.5	37.5	0.5-1.5
KBK/KBPA 150	21.5	23.5	37.5	0.5-1.5
KBK/KBPA 200	24	26	42	0.5-1.5
KBK/KBPA 300	27	29	47	0.5-1.5
KBK/KBPA 500	42	44	66	0.5-2.0

