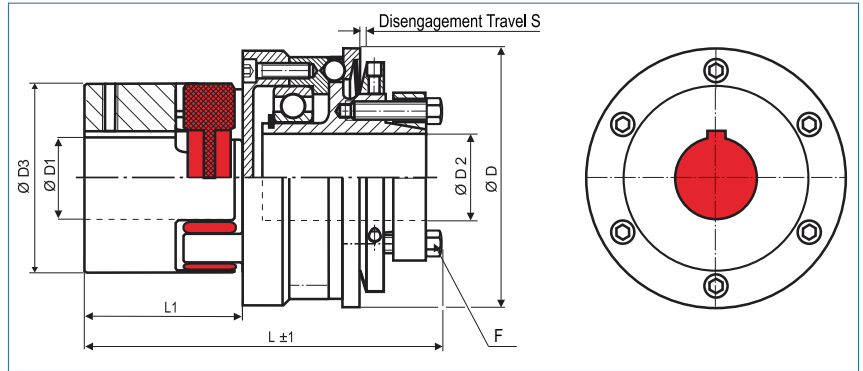


Safety Coupling

with keyway and outer cone

optional
nickel-plated version
optional full stainless
steel version



Order Code **KBK/EPA - 24 - 119.5 - N16H7 - 15H7 - 20Nm - C or D - 2**

Type Size Length ØD1 (H7) ØD2 (H7) Disengagement Torque Torque Range
 C = Single Position D = Multi Position Engagement

Size	Dimensions (mm)								Technical Data								
	ØD	L	ØD1	ØD2	ØD3	F	L1	S	max. speed (1/min)	Mass (kg)	Moment of Inertia J (kg cm²)	Torque 98 Sh TKN (Nm)	Torque Range		Misalignment		
	Outer Ø	Length	Bore Size (H7) min~max	Bore Size (H7) von ~bis		Screw ISO4017 TA (Nm)							1 TKN (Nm)	2 TKN (Nm)	radial Δ Kr (mm)	axial Δ Ka (mm)	angular Δ Kw (°)
-14	49	67	6-16	5-14 10*	30	M3 2.1	24	0.7	11690	0.22	0.5	12.5	3 - 7	5 - 10	0.09	+1.0 -0.5	0.9
-19	64	96	10-24	12-20 14*	40	M5 5.9	41	1.2	8950	0.71	2.9	17	5 - 15	10 - 30	0.06	+1.2 -0.5	0.9
-24	79	119.5	16-28	15-30 22*	55	M5 8.7	50	1.2	7630	1.29	7.9	60	12 - 35	20 - 60	0.10	+1.4 -0.5	0.9
-28	94	144	20-38	20-35 27*	65	M6 15	59	2	6030	2.3	20.4	160	50 - 130	65 - 150	0.11	+1.5 -0.7	0.9
-38	119	160	20-45	25-50 41*	80	M8 25	67	2	4980	4.5	67.3	325	60 - 200	150 - 300	0.12	+1.8 -0.7	0.9
-42	129	189	20-55	35-55 45*	95	M8 36	76	2	4440	8.8	156.1	450	80 - 250	200 - 500	0.14	+2.0 -1.0	0.9

+ **Material** outer cone: steel
 hubs: aluminium
 spider element: polyurethane 98 Sh A (red)

Keyway optional acc. DIN 6885
 biggest bore marked with a #

Temperature Range -30 °C ~ 90 °C