
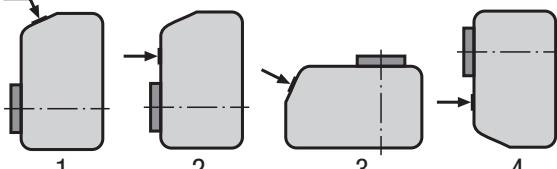
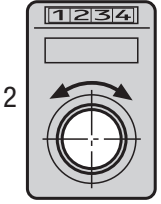




<b>Display after one rotation, with decimal point:</b>	<b>Mounting position (1 - 4):</b>
	
e. g. K2108.01002111 <b>0100</b> = 1 mm increments <b>2</b> = decimal places	e. g. K2108.01002111 = mounting position 1

<b>Count direction (1 - 2):</b>	<b>Colour (1 - 2):</b>
 <p>e. g. K2108.01002111  <b>1</b> = clockwise (ascending values)  <b>2</b> = anticlockwise (ascending values)</p>	<p>1 </p> <p>2 </p> <p>e. g. K2108.01002111  <b>1</b> = orange  <b>2</b> = black</p>