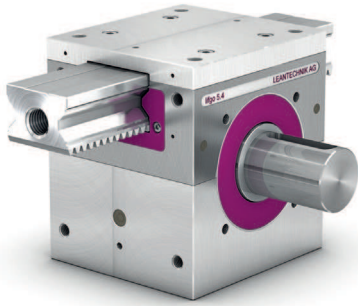
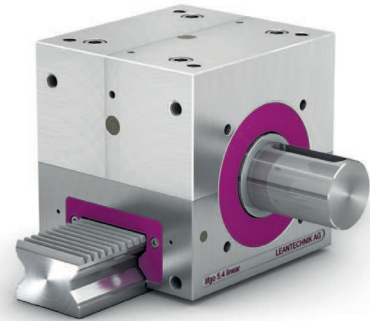


lifgo® & lifgo® linear 5.4 • Dimension sheet



lifgo® 5.4



lifgo® linear 5.4

! Make sure that the article number refers to the correct pinion shaft version.



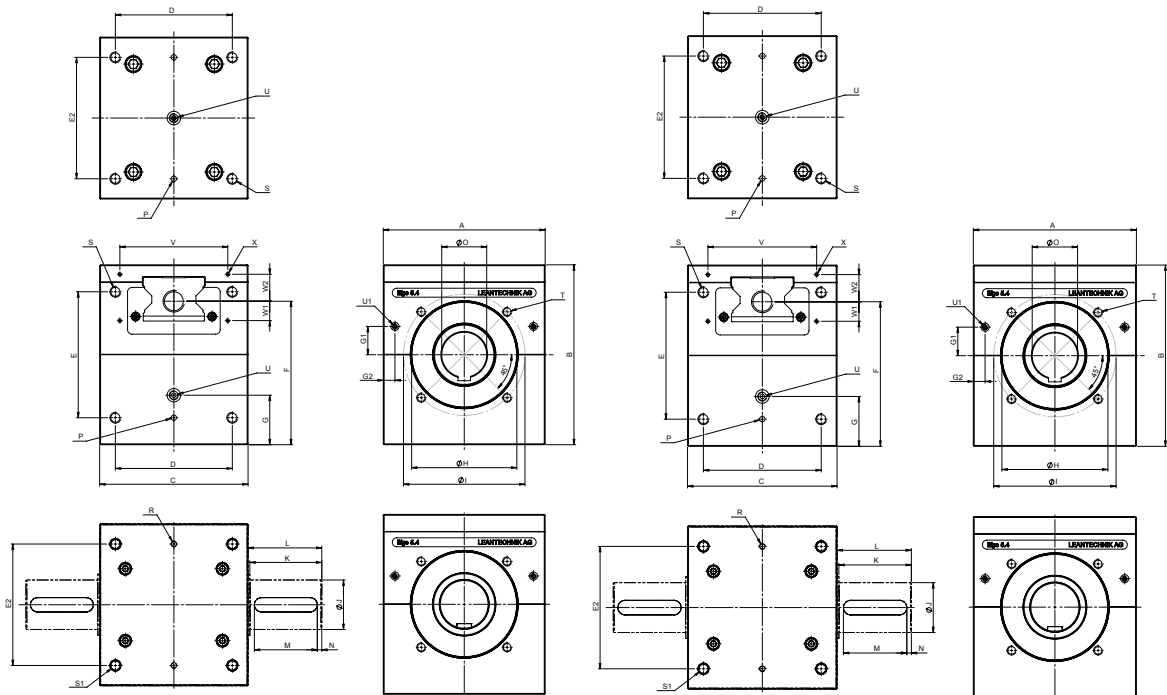
ZA 1



ZA 2



PFN



lifgo® 5.4

lifgo® linear 5.4

lifgo® gearbox	Unit	lifgo® 5.4	lifgo® linear 5.4	
	A	mm	180	180
	B	mm	200	181
	B1	mm		100
	C	mm	165	165
	D	mm	130	130
	E	mm	140	140
	E1	mm		30
	E2	mm	135	135
	F	mm	159,5	5
	G	mm	55	55
	G1	mm	31,5	31,5
	G2	mm	13	13
Centering flange	H	mm	Ø 117 H7 ↓3	Ø 117 H7 ↓3
	I	mm	Ø 135	135
Key DIN 6885 P9	J	mm	Ø 55 h7	Ø 55 h7
	K	mm	80	80
	L	mm	82	82
	M	mm	70	70
	N	mm	5	5
Key DIN 6885 P9	O	mm	Ø 50 H7	Ø 50 H7
	P	mm	Ø 6 H7 ↓10	Ø 6 H7 ↓10
	R	mm	Ø 6 H7 ↓10	Ø 6 H7 ↓10
	S	mm	M12 ↓35 Ø 10,2 through	M12 ↓35 Ø 10,2 through
	S1	mm	└┘ Ø12,5 ↓19 M12 ↓35 Ø 10,2 through	
	T	mm	M10 ↓10	M10 ↓20
Lube hole	U	mm	M10 x 1 ↓10	M10 x 1 ↓10
Lube hole	U1	mm	M6 ↓5	M6 ↓5
	V	mm	120	120
	W	mm		43
	W1	mm	21,5	
	W2	mm	30	
	X	mm	M4 ↓8	M4 ↓8
Weight ZA 1		kg	25,3	24
Weight ZA 2		kg	26,8	25,5
Weight PFN		kg	21,2	19,9

Article number	lifgo® 5.4	lifgo® linear 5.4
lifgo® ZA 1	500 008	500 040
lifgo® ZA 2	500 012	500 044
lifgo® PFN	500 016	500 048