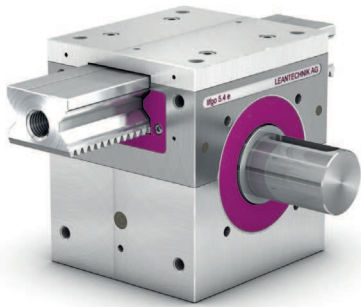
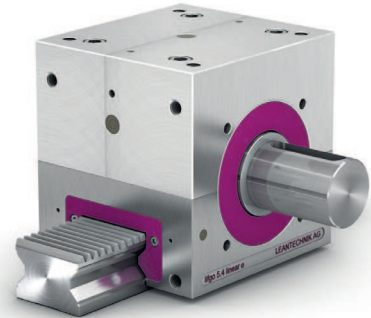


lifgo® eccentric & lifgo® linear eccentric 5.4 • Dimension sheet



lifgo® eccentric 5.4



lifgo® linear eccentric 5.4

! Make sure that the article number refers to the correct pinion shaft version.



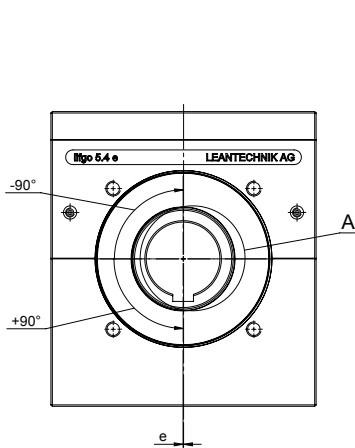
ZA 1



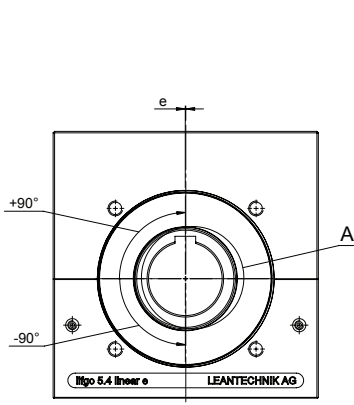
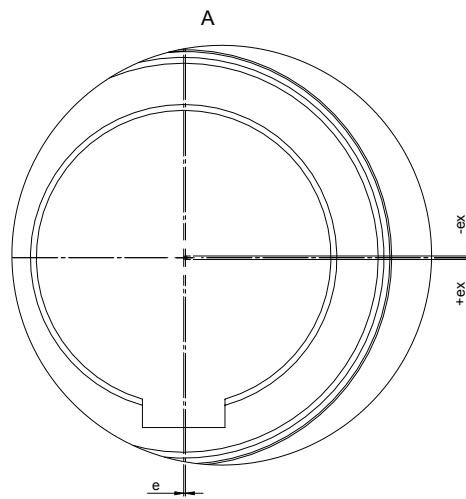
ZA 2



PFN



lifgo® eccentric



lifgo® linear eccentric

- !** The dimensions of the “eccentric” version are identical to those of the standard gearbox lifgo® 5.4. Please use the dimensions on page 6.
- !** In the “eccentric” version, the pinion shaft is adjusted relative to the gear rack, allowing the tooth flank clearance to be adjusted. It can be readjusted at a later time. Motor flanges, gearbox bell housings, etc. remain centered on the pinion during adjustment.
- !** Note that “eccentric” gearboxes cannot be combined with standard gearboxes (centered bearings). The pinion shafts are not aligned. (Max. lateral error 0,3 mm).
- !** Follow the instructions for use, available as a separate PDF. A printed copy is included with the gearboxes.

lifgo® eccentric reduced play		Unit	lifgo® eccentric 5.4	lifgo® linear eccentric 5.4
Adjustment range	e	mm	± 0,300	± 0,300
Adjusting steps	n	mm	± 6	± 6
Adjustment per step	e0	mm	0	0
	e1	mm	± 0,078	± 0,078
	e2	mm	± 0,150	± 0,150
	e3	mm	± 0,212	± 0,212
	e4	mm	± 0,260	± 0,260
	e5	mm	± 0,290	± 0,290
	e6	mm	± 0,300	± 0,300
	Weight ZA 1		kg	24,8
Weight ZA 2		kg	26,4	25,1
Weight PFN		kg	20,8	19,5

Article number	lifgo® eccentric 5.4	lifgo® linear eccentric 5.4
lifgo® eccentric ZA 1	500 024	500 056
lifgo® eccentric ZA 2	500 028	500 060
lifgo® eccentric PFN	500 032	500 064