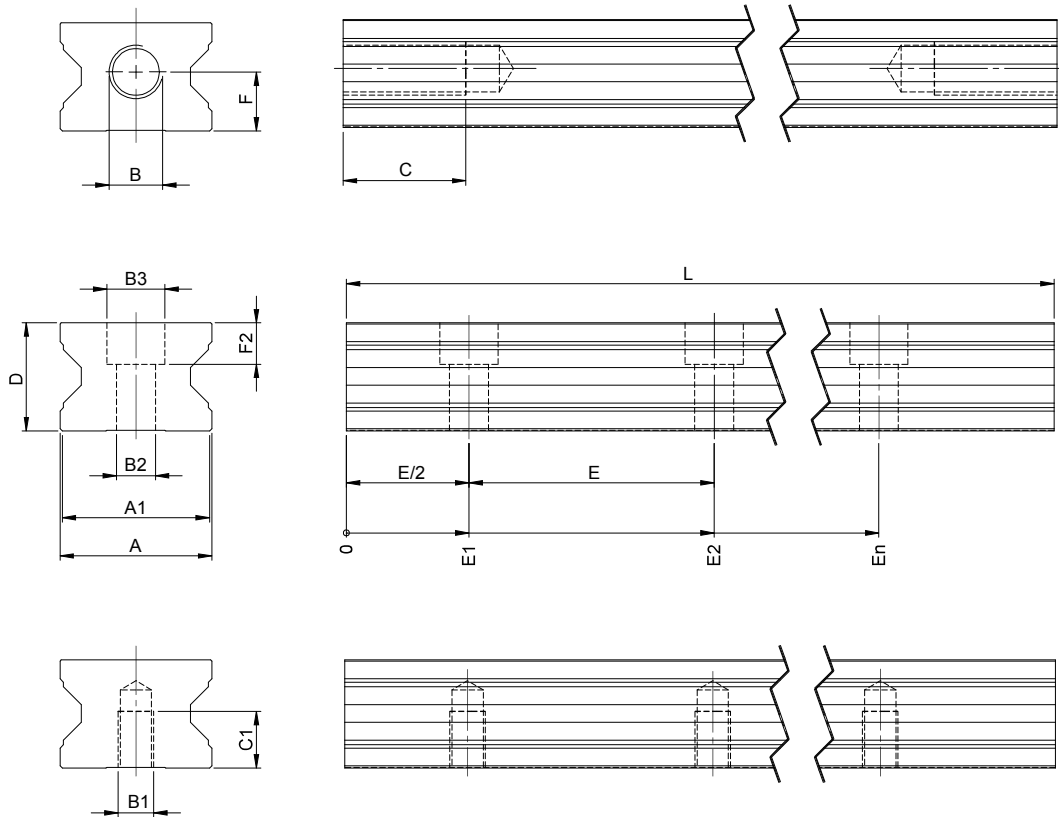


## lifgo® 5.4 guide rails • Dimension sheet

Guide rails are available with or without holes for screw attachment from the "top" or the "bottom." The hole spacings correspond to those of the lifgo® linear gear racks. The guide rails, with guide cars, are used in parallel with lifgo® or lifgo® linear. Multiple guide rails can be laid end-to-end. The gear rack protection on page 14 can be used for these guide rails.



- ! For multi-part guide rails, the "E2" dimensions must be maintained at both ends of the rail (**symmetry**).
- ! For multi-part guide rails, the parting joints of the rail and the substructure must not be in line.
- ! When using the guide rail, consider the load capacity of the screws.

lifigo® guide rail	Unit	lifigo® 5.4
A	mm	68
A1	mm	66
B	mm	M24
B1	mm	M16
B2	mm	Ø 17,5
B3	mm	Ø 26
C	mm	55
C1	mm	25
D	mm	48,5
(E = Ze x m x Pi)	mm	109,955743
(example result for lower calculation)	mm	54,98
E2	mm	164,93
E3	mm	274,89
Hole spacing from front end	mm	$E_n = Z_e \times m \times \pi \times (n - 1/2)$
	mm	26,5
	mm	18,6
Total length	mm	as per customer data
Number of teeth between two holes	each	14
Module	mm	2,5
Moment of inertia	mm <sup>4</sup>	626515
Moment of inertia	mm <sup>4</sup>	953723
Polar moment of inertia	mm <sup>4</sup>	1580239
Weight <b>Hole at front</b>	kg/m	22,3
<b>Screwed from above</b>	kg/m	21,8
<b>Screwed from below</b>	kg/m	22,6

Article number		lifigo® 5.4
lifigo® guide rail	<b>Hole at front</b>	500 104
lifigo® guide rail	<b>Screwed from above</b>	500 108
lifigo® guide rail	<b>Screwed from below</b>	500 112