

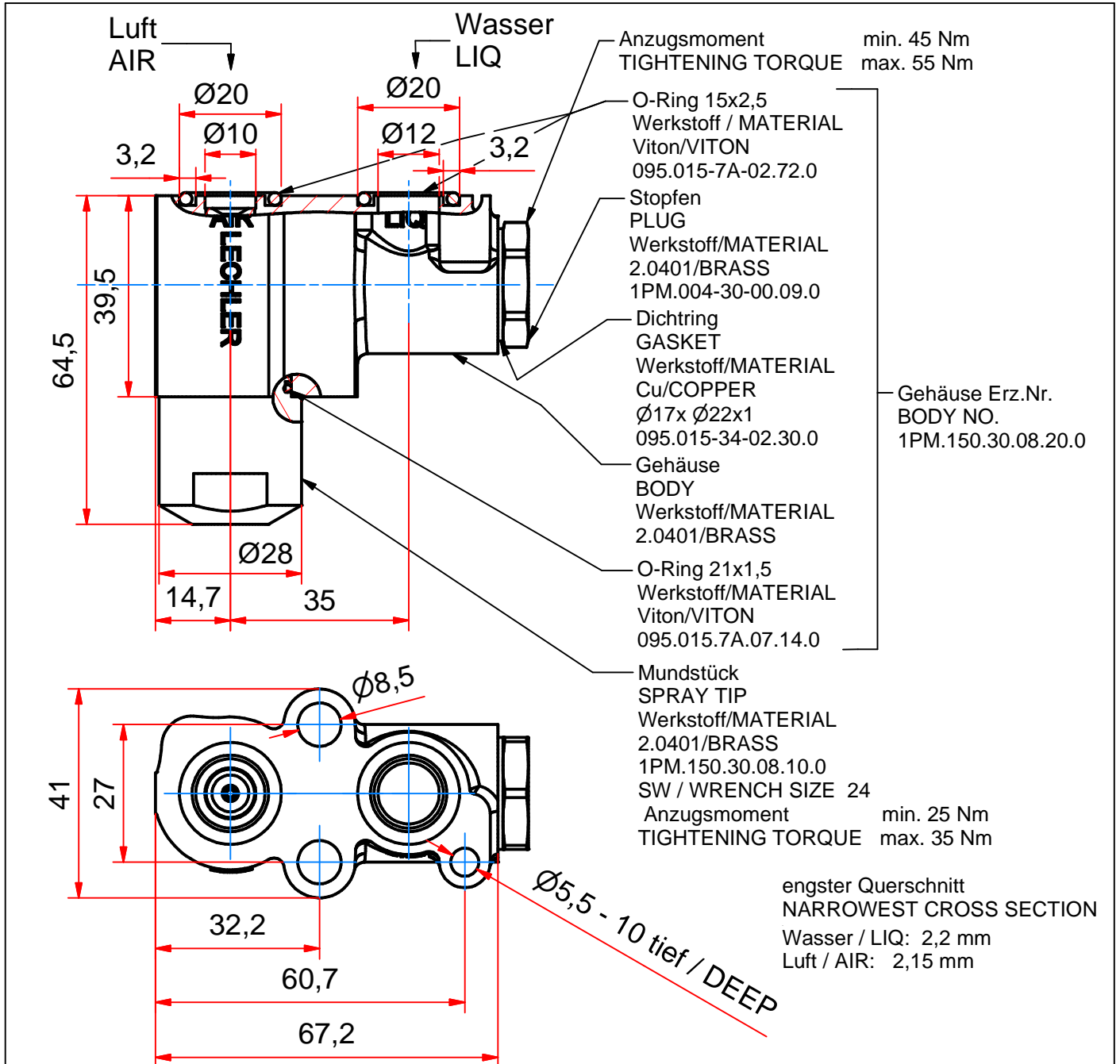
Drawing is to be considered as a Lechler company secret and therefore prohibits to reproduce it or make it known to any third person or to competitors.



Lechler GmbH
 Precision Nozzles - Nozzle Systems
 Ulmer Strasse 128
 72555 Metzingen / Germany
 Phone +49 (0) 7123 - 962 - 0
 Fax +49 (0) 7123 - 962 - 444

AV0-1PM.150-30-08.00.0

Billetcooler FLEX kegelförmiger Strahl
 BILLET COOLER FLEX CONE SPRAY
 Size 2



LDN: _1PM1503008000DE_AV0DE_01

min. Volumenstrom Wasser $\dot{V}_W = 0,8$ l/min bei 0,5 bar Wasser und 2 bar Luft
 MIN. FLOW RATE WATER $\dot{V}_W = 0,8$ L/MIN AT 0,5 BAR WATER AND 2 BAR AIR
 max. Volumenstrom Wasser $\dot{V}_W = 8$ l/min bei 7 bar Wasser und 2 bar Luft
 MAX. FLOW RATE WATER $\dot{V}_W = 8$ L/MIN AT 7 BAR WATER AND 2 BAR AIR
 max. Volumenstrom Luft $\dot{V}_{LN} = 6,5$ m³/h bei 2 bar Luft und 0,5 bar Wasser
 MAX. FLOW RATE AIR $\dot{V}_{LN} = 6,5$ M³/H AT 2 BAR AIR AND 0,5 BAR WATER
 Gewicht / WEIGHT = 0,9 kg

Nominaler Strahlwinkel $\alpha = 60^\circ$
 NOMINAL SPRAY ANGLE $\alpha = 60^\circ$

Abmessungen in mm
 DIMENSIONS IN MM
 2014-OKT-20-MRV-Ke