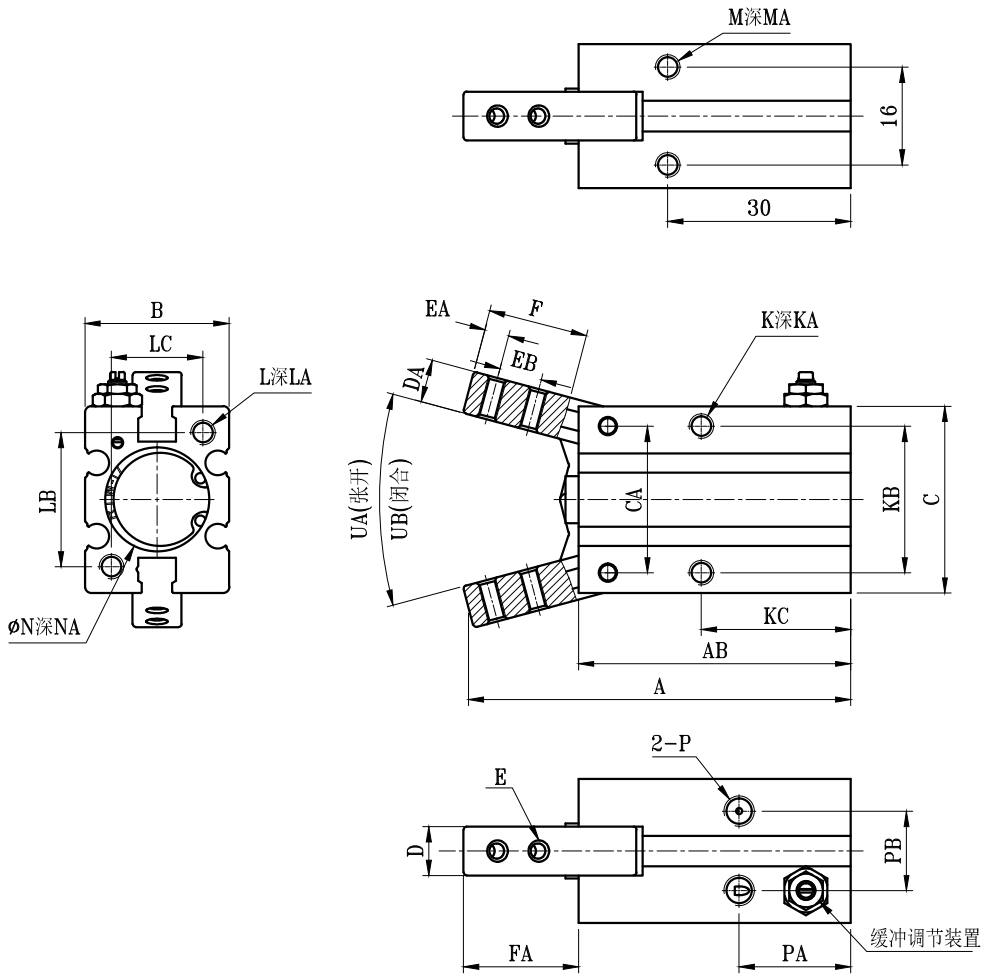


外形尺寸



缸径	A	AB	B	C	CA	D	DA	E	EA	EB	F	FA	K	KA	KB	KC	L
10	52.5	38.5	16.5	23	14	6.4	4	M2.5×0.45	3	5.7	12	14.5	M3×0.5	5	16	23	M3×0.5
16	62.5	44.5	23.6	30.5	24	8	7	M3×0.5	4	7	16	19	M4×0.7	7	24	24.5	M4×0.7
20	78	55	27.6	42	30	10	8	M4×0.7	5	9	20	23.5	M5×0.8	8	30	29	M5×0.8
25	92	60.5	33.6	52	36	12	10	M5×0.8	8	12	27	33	M6×1.0	10	36	30	M6×1.0

缸径	LA	LB	LC	M	MA	MB	MC	N	NA	P	PA	PB	UA(張開)	UB(閉合)
10	6	18	12	M3×0.5	6	11.5	27	$11^{+0.05}_0$	1.5	M3×0.5	19	10	30°	10°
16	8	22	15	M4×0.7	4.5	16	30	$17^{+0.05}_0$	1.5	M5×0.8	18.5	13	30°	10°
20	10	32	18	M5×0.8	8	18.5	35	$21^{+0.05}_0$	1.5	M5×0.8	22	15	30°	10°
25	12	40	22	M6×1.0	10	22	36.5	$26^{+0.05}_0$	1.5	M5×0.8	23.5	20	30°	10°