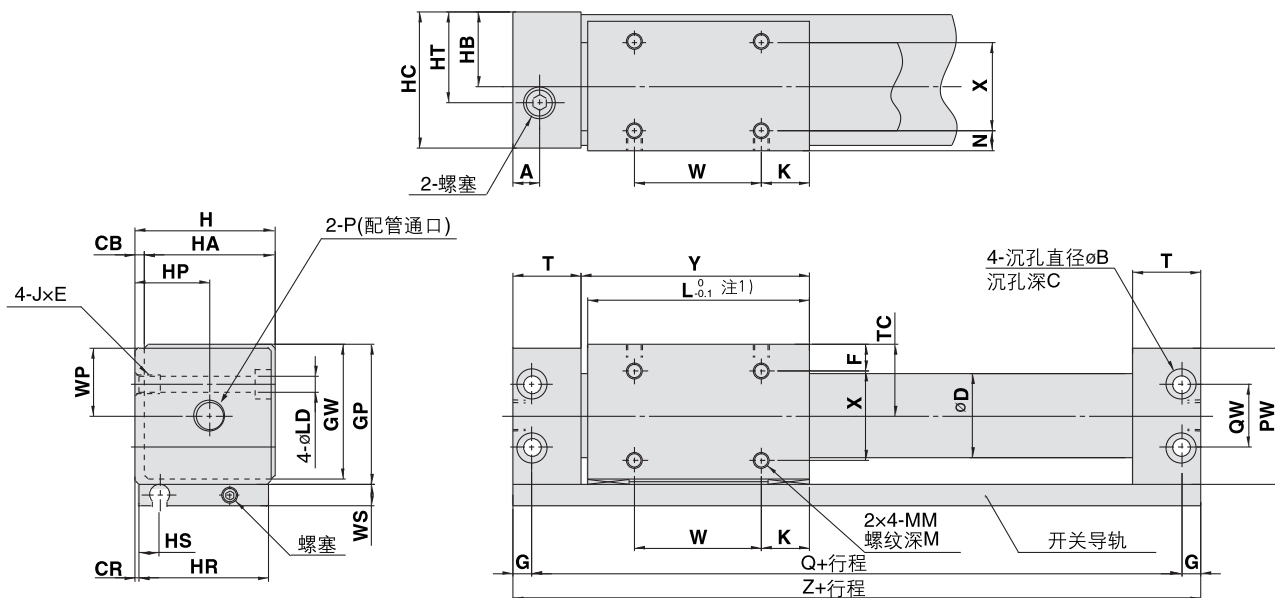


## 外形尺寸图

### 两侧配管型： $\phi 15 \sim \phi 40$

注) 本图为带开关导轨型(无记号)。



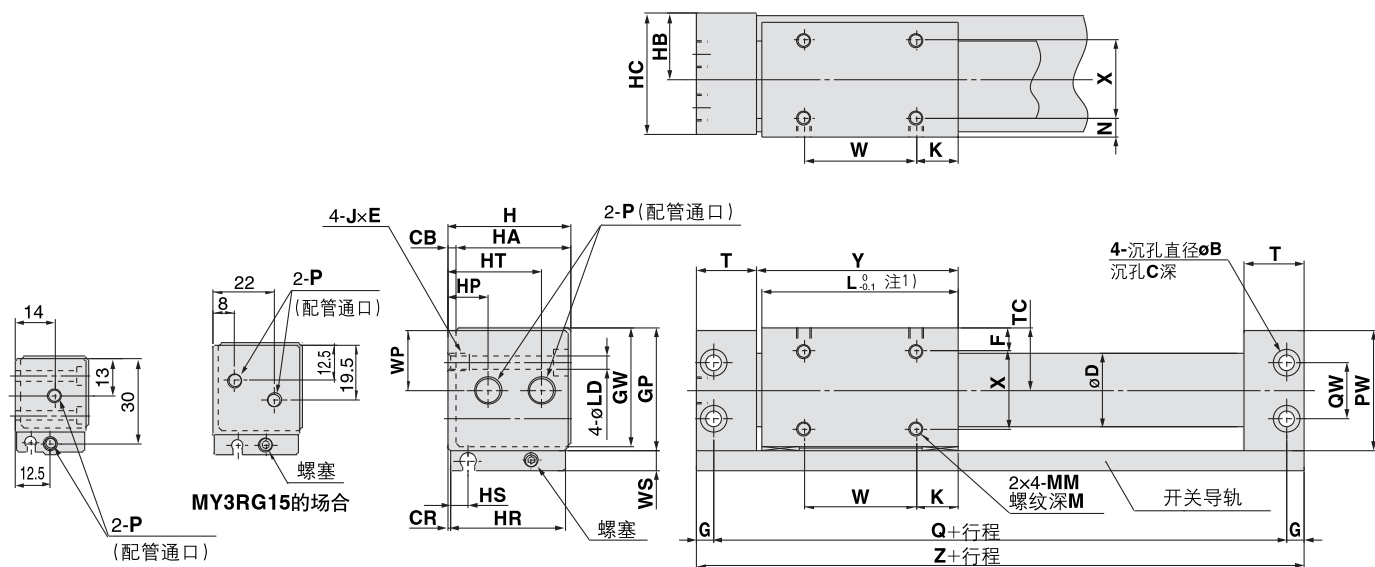
型号	A	B	C	CB	CR	D	F	G	GP	GW	H	HA	HB	HC	HP	HR	HS	HT	JxE	K
MY3R15	10.5	8	4.2	2	0.5	16.6	8	5	33	31.5	32	30	17	31	17	30	8.5	17	M5×0.8×7	14
MY3R20	9	9.5	5.2	3	1	21.6	9	6	39	37.5	39	36	21	38	24	36	7.5	24	M6×1×8	11
MY3R25	8.5	9.5	5.2	3	1	26.4	8.5	6	44	42.5	44	41	23.5	43	23.5	41	6.5	23.5	M6×1×8	15
MY3R32	10.5	11	6.5	3	1.5	33.6	10.5	7	55	53.5	55	52	29	54	29	51	7	29	M8×1.25×10	13
MY3R40	10	11	6.5	5	2	41.6	13	7	65	63.5	67	62	36	66	36	62	8	36	M8×1.25×10	15

型号	L	LD	M	MM	N	PW	Q	QW	T	TC	W	WP	WS	X	Y	Z
MY3R15	53	4.3	5	M4×0.7	6	32	84	18	19	17	25	16	7	18	54.5	94
MY3R20	62	5.4	5	M4×0.7	7	38	95	17	20.5	20	40	19	7	22	64	107
MY3R25	70	5.4	6	M5×0.8	6.5	43	105	20	21.5	22.5	40	21.5	7	28	72	117
MY3R32	76	7	7	M6×1	8.5	54	116	26	24	28	50	27	7	35	79	130
MY3R40	90	7	8	M6×1	11	64	134	34	26	33	60	32	7	40	93	148

型号	P(配管通口)
MY3R15	M5×0.8
MY3R20	Rc1/8
MY3R25	Rc1/8
MY3R32	Rc1/8
MY3R40	Rc1/4

## 外形尺寸图

集中配管型： $\phi 15 \sim \phi 40$



MY3RG10の場合

型号	B	C	CB	CR	D	F	G	GP	GW	H	HA	HB	HC	HP	HR	HS	HT	JxE	K	L
MY3RG15	8	4.2	2	0.5	16.6	8	5	33	31.5	32	30	17	31	—	30	8.5	—	M5×0.8×7	14	53
MY3RG20	9.5	5.2	3	1	21.6	9	6	39	37.5	39	36	21	38	11	36	7.5	28	M6×1×8	11	62
MY3RG25	9.5	5.2	3	1	26.4	8.5	6	44	42.5	44	41	23.5	43	14.5	41	6.5	33.5	M6×1×8	15	70
MY3RG32	11	6.5	3	1.5	33.6	10.5	7	55	53.5	55	52	29	54	20	51	7	41	M8×1.25×10	13	76
MY3RG40	11	6.5	5	2	41.6	13	7	65	63.5	67	62	36	66	25	62	8	50	M8×1.25×10	15	90

型号	LD	M	MM	N	PW	Q	QW	T	TC	W	WP	WS	X	Y	Z
MY3RG15	4.3	5	M4×0.7	6	32	84	18	19	17	25	16	7	18	54.5	94
MY3RG20	5.4	5	M4×0.7	7	38	95	17	20.5	20	40	19	7	22	64	107
MY3RG25	5.4	6	M5×0.8	6.5	43	105	20	21.5	22.5	40	21.5	7	28	72	117
MY3RG32	7	7	M6×1	8.5	54	116	26	24	28	50	27	7	35	79	130
MY3RG40	7	8	M6×1	11	64	134	34	26	33	60	32	7	40	93	148

型号	P(配管通口)
MY3RG15	M5×0.8
MY3RG20	Rc1/8
MY3RG25	Rc1/8
MY3RG32	Rc1/8
MY3RG40	Rc1/4