

CLAMPING ELEMENTS SERIES MCP

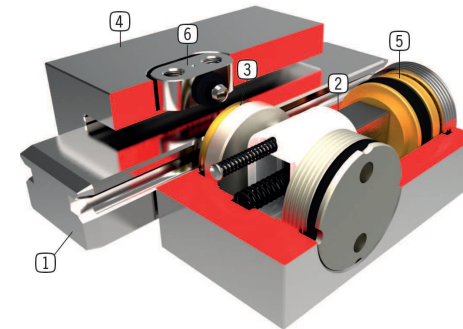
▶ PRODUCT ADVANTAGES

- ▶ **small construction**
For all common miniature profile rail guides
- ▶ **Energize to close (NO)**
Closing with pressure
- ▶ **high durability**
Up to 5 million static clamping cycles



▶ TECHNICAL DETAILS

- ① **Miniature profile rail guide**
- Available for all common miniature profile rail guides
- ② **Wedge-type gear**
- Power transmission between piston and clamping jaw
- ③ **Clamping jaw**
- Pressed at the free surfaces of the profile rail guide
- ④ **housing**
- chemically nickel plated steel
- ⑤ **Pneumatic piston**
- The piston moves the wedge-type gear longitudinally
- ⑥ **Sliding block**
- For floating bearings



▶ INFORMATION ON THE PRODUCTS

APPLICATION SCENARIOS

- ▶ **Clamping of machine tables**
- ▶ **Positioning of axes**
- ▶ **Fixing of vertical axes in neutral position**

FURTHER INFORMATION

- ▶ **Special variants on request, e.g.**
With additional air connection (from above, from the front)

▶ INFORMATION ON THE SERIES

TECHNICAL DATA

Rail size	5-25 mm
Holding force	130-550
pressure min.	3
pressure max.	6
Spring-loaded energy storage	inexistent
PLUS connection	no
Clamping cycles	up to 5 million
Braking cycles	not suitable
Operation	pneumatic



▶ Technical Information

All information just a click away at: www.zimmer-group.de
Find data, illustrations, 3D models and operating instructions for your installation size using the order number for your desired product.
Quick, clear and always current.