

TESTINA PRENSILE

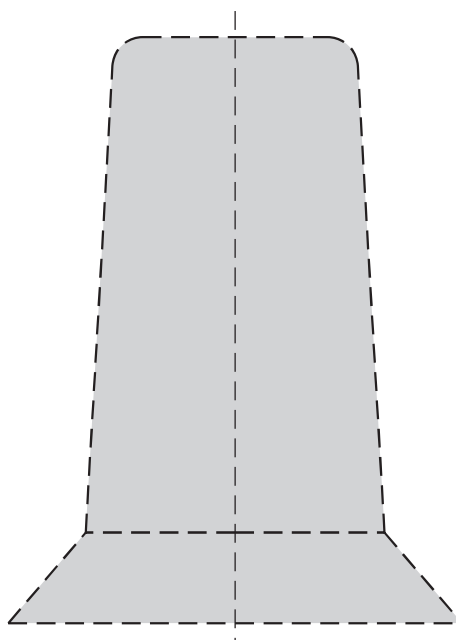
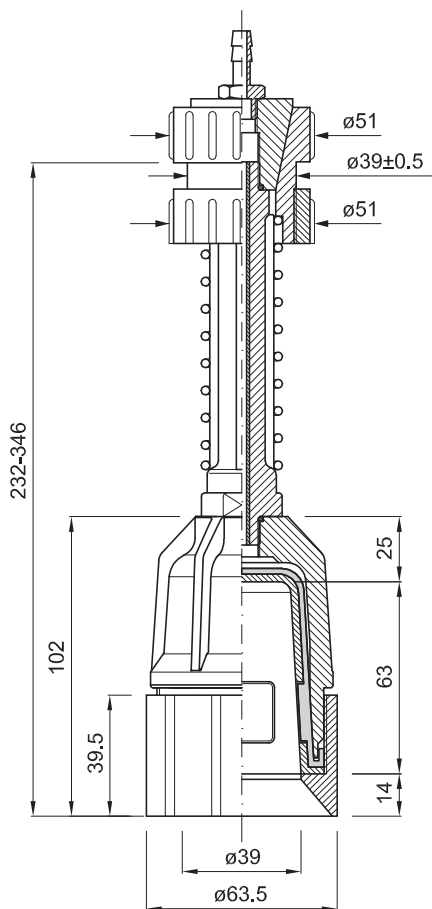
PICK-UP HEAD

TETE DE PREHENSION

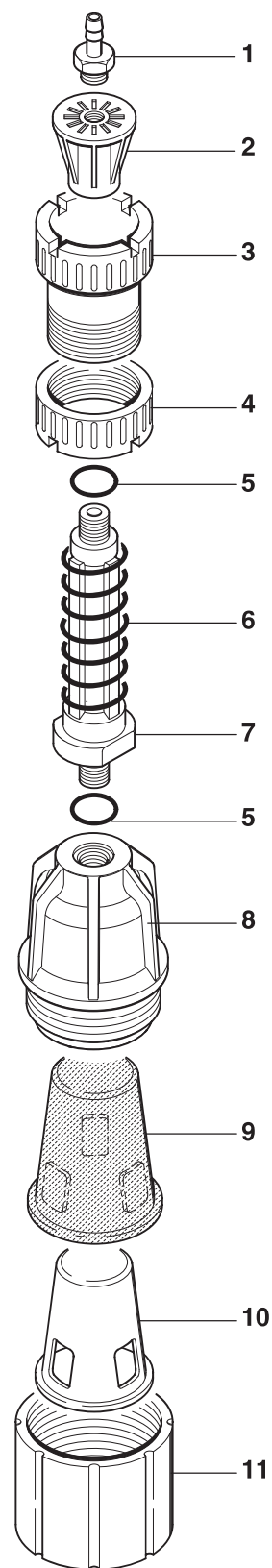
GREIFERKOPF

TULIPA

cod. 001.0004 ø 64 H=232 - cod. 001.00042 ø 64 H=346



PROFILO INTERNO SCALA 1:1
INTERNAL SECTION SCALE 1:1
PROFIL INTERNE ECHELLE 1:1
INNENPROFIL MASSTAB 1:1
PERFIL INTERIOR ESCALA 1:1



| | COD. | MATERIALE | MATERIAL | MATERIEL | WERKSTOFF | MATERIAL |
|----|----------|-------------|-----------------|------------------|------------------|------------------|
| 1 | 024.0001 | OTTONE | BRASS | LAITON | MESSING | LATÓN |
| 2 | 025.0001 | PA | PA | PA | PA | PA |
| 3 | 026.0001 | PA | PA | PA | PA | PA |
| 4 | 026.0011 | PA | PA | PA | PA | PA |
| 5 | 057.0033 | GOMMA | RUBBER | CAOUTCHOUC | GUMMI | GOMA |
| 6 | 029.0001 | AISI | STAINLESS STEEL | ACIER INOXYDABLE | ROSTFREIER STAHL | ACERO INOXIDABLE |
| 7 | 028.0001 | PA | PA | PA | PA | PA |
| 8 | 027.0007 | PA | PA | PA | PA | PA |
| 9 | 040.0007 | GOMMA / TPU | RUBBER / TPU | CAOUTCHOUC TPU | GUMMI / TPU | GOMA / TPU |
| 10 | 030.0003 | PA | PA | PA | PA | PA |
| 11 | 026.0030 | PA | PA | PA | PA | PA |