

# TESTINA PRENSILE

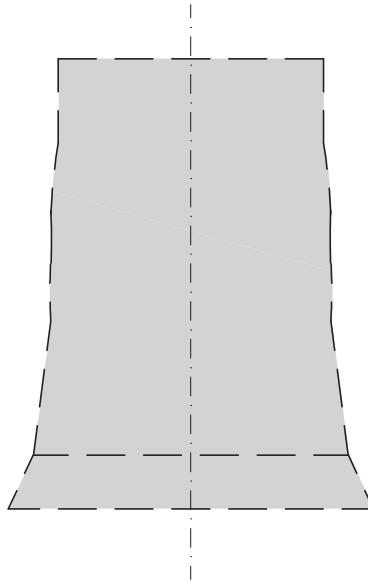
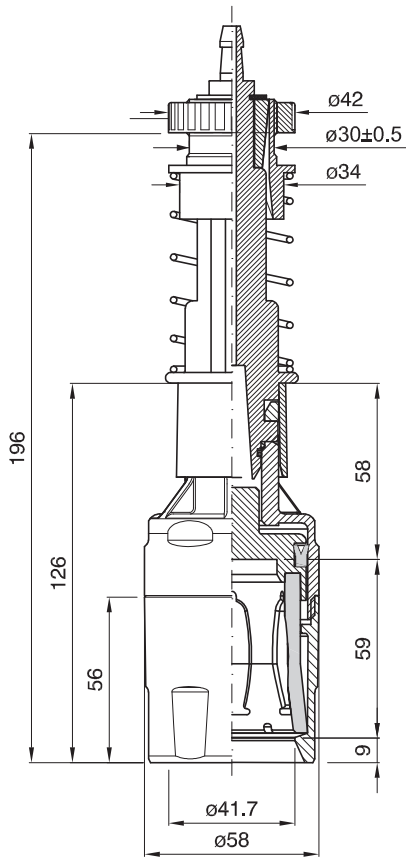
PICK-UP HEAD

TÊTE DE PRÉHENSION

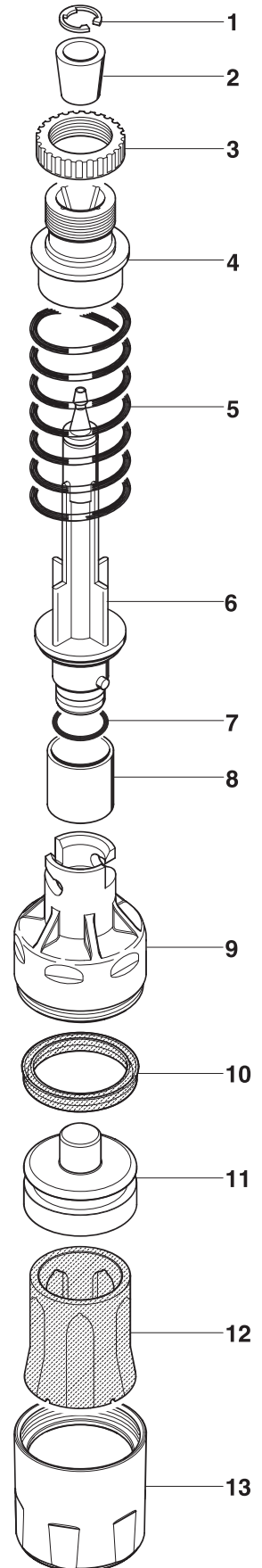
GREIFERKOPF

TULIPA

cod. 001.0129 ø 58



PROFILO INTERNO SCALA 1:1  
INTERNAL SECTION SCALE 1:1  
PROFIL INTERNE ECHELLE 1:1  
INNENPROFIL MASSTAB 1:1  
PERFIL INTERIOR ESCALA 1:1



|    | COD.     | MATERIALE | MATERIAL        | MATERIEL         | WERKSTOFF        | MATERIAL         |
|----|----------|-----------|-----------------|------------------|------------------|------------------|
| 1  | 032.0056 | AISI      | STAINLESS STEEL | ACIER INOXYDABLE | ROSTFREIER STAHL | ACERO INOXIDABLE |
| 2  | 025.0008 | PA        | PA              | PA               | PA               | PA               |
| 3  | 026.0007 | PA        | PA              | PA               | PA               | PA               |
| 4  | 026.0008 | PA        | PA              | PA               | PA               | PA               |
| 5  | 029.0032 | AISI      | STAINLESS STEEL | ACIER INOXYDABLE | ROSTFREIER STAHL | ACERO INOXIDABLE |
| 6  | 028.0047 | PA        | PA              | PA               | PA               | PA               |
| 7  | 057.0017 | GOMMA     | RUBBER          | CAOUTCHOUC       | GUMMI            | GOMA             |
| 8  | 026.0132 | PP        | PP              | PP               | PP               | PP               |
| 9  | 027.0103 | PA        | PA              | PA               | PA               | PA               |
| 10 | 041.0050 | TPU       | TPU             | TPU              | TPU              | TPU              |
| 11 | 031.0040 | PA        | PA              | PA               | PA               | PA               |
| 12 | 040.0127 | PUR       | PUR             | PUR              | PUR              | PUR              |
| 13 | 026.0135 | PA        | PA              | PA               | PA               | PA               |