

TESTINA PRENSILE

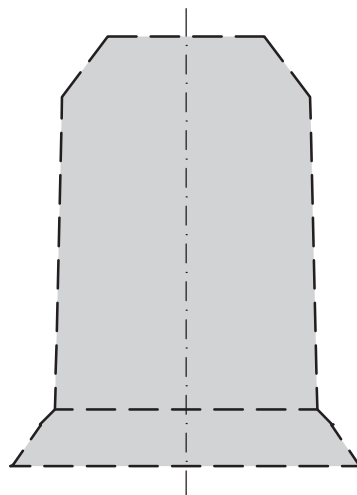
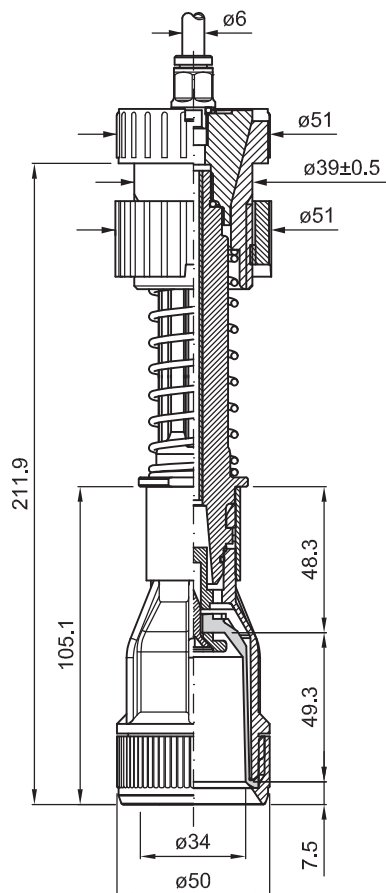
PICK-UP HEAD

TÊTE DE PRÉHENSION

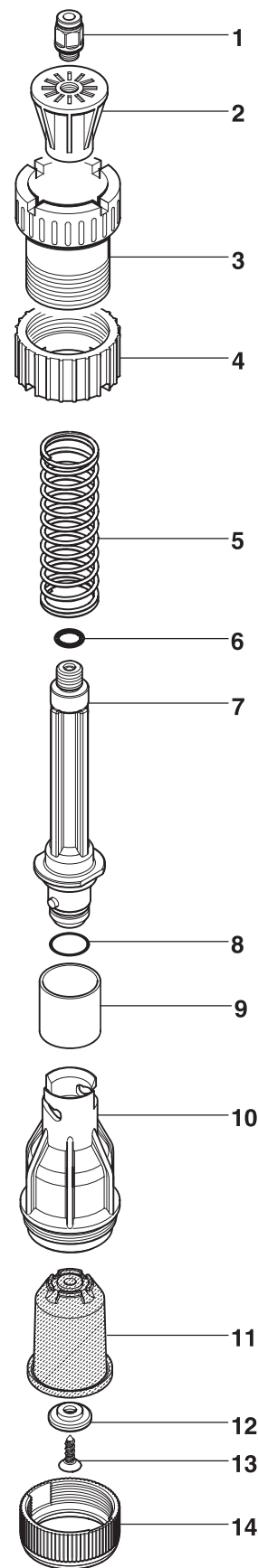
GREIFERKOPF

TULIPA

cod. 001.0136 ø 50



PROFILO INTERNO SCALA 1:1
INTERNAL SECTION SCALE 1:1
PROFIL INTERNE ECHELLE 1:1
INNENPROFIL MASSTAB 1:1
PERFIL INTERIOR ESCALA 1:1



| | COD. | MATERIALE | MATERIAL | MATERIEL | WERKSTOFF | MATERIAL |
|----|-----------|-----------|-----------------|------------------|------------------|------------------|
| 1 | 024.0007 | OTTONE | BRASS | LAITON | MESSING | LATÓN |
| 2 | 025.00011 | PA | PA | PA | PA | PA |
| 3 | 026.00011 | PA | PA | PA | PA | PA |
| 4 | 026.00111 | PA | PA | PA | PA | PA |
| 5 | 029.0001 | AISI | STAINLESS STEEL | ACIER INOXYDABLE | ROSTFREIER STAHL | ACERO INOXIDABLE |
| 6 | 057.0033 | GOMMA | RUBBER | CAOUTCHOUC | GUMMI | GOMA |
| 7 | 028.0055 | PA | PA | PA | PA | PA |
| 8 | 057.0017 | GOMMA | RUBBER | CAOUTCHOUC | GUMMI | GOMA |
| 9 | 026.0063 | PP | PP | PP | PP | PP |
| 10 | 027.0054 | PA | PA | PA | PA | PA |
| 11 | 040.0121 | GOMMA/TPU | RUBBER/TPU | CAOUTCHOUC/TPU | GUMMI/TPU | GOMA/TPU |
| 12 | 030.0043 | PA | PA | PA | PA | PA |
| 13 | 032.0012 | AISI | STAINLESS STEEL | ACIER INOXYDABLE | ROSTFREIER STAHL | ACERO INOXIDABLE |
| 14 | 026.0106 | PA | PA | PA | PA | PA |