

Bielefeld, 04. November 2022

Product Information – Phase-Out Standpipe Fittings DIN Steel and DIN Stainless Steel

To All Parker Partners,

As part of our continuous improvement process, we revise our product portfolio and discontinue products and product lines as appropriate.

Therefore, we inform our customers about a phase-out of standpipe fittings DIN Steel and DIN Stainless Steel for High Pressure Connectors Europe (HPCE). This product change is planned to incorporate in our fitting product offer in December 2022.

Soft seal fittings are already the worldwide standard and the best choice for our customers in terms of performance and assembly as well as availability and delivery time.

Standpipe fittings with a pre-assembled cutting ring can be replaced by soft-sealed DKO swivel fittings in most applications.

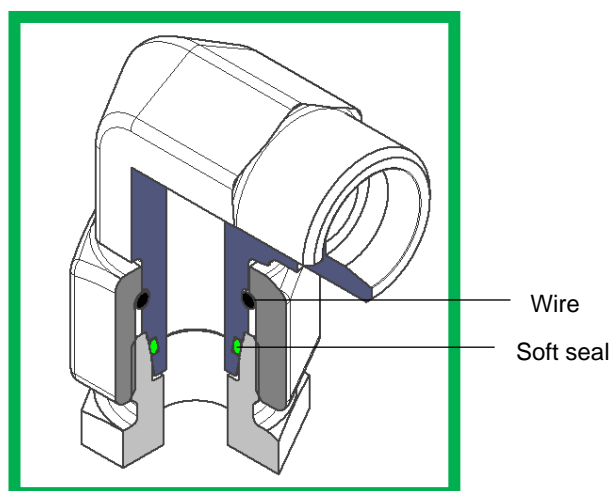
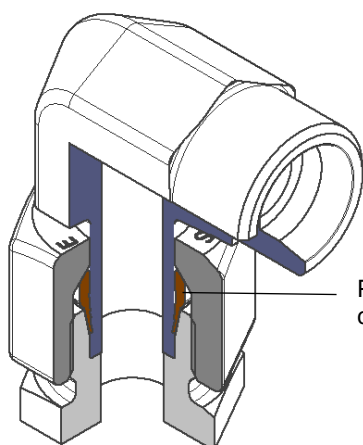
Since 2012 standpipe fittings are no longer part of the actual ISO Standard (DIN EN) ISO 8434-1. The International Standard refers to the use of soft-seal solutions where the requirement of the application allows this.

E.g., DIN Steel:

EW06LOMDCF (soft seal) can replace a EVW06LOMDCF (metal seal)

E.g., DIN Stainless Steel:

EW06LOMD71 (soft seal) can replace a EVW06LOMD71 (metal seal)



EVW – Standpipe elbow

EW – Swivel nut elbow



Advantages of soft-seal fittings are:

Performance

- Leakage proof at extreme application conditions (pressure impulses, vibrations)
- High tightness: better sealing capabilities against outside influences (air, dirt, ...)
- Sealing element replaceable
- Sealing element needs to be selected according to media needs

Assembly

- More tolerant against under-assembly
- Many repeated assemblies possible
- Sealing function independent from material of counter part
- Up to 40% lower tightening torque - time-saving assembly

All soft-seal fittings are available in NBR (standard DIN Steel) and FKM (standard DIN Stainless Steel) version. They are covering wide media and temperature ranges.

Technical dimensions of both sealing versions are equal (exception: KOR / RED), which gives the possibility for an easy replacement in their current application.

Therefore, Parker Hannifin, High Pressure Connectors Europe (HPCE) has decided to phase-out the metal seal standpipe product portfolio with immediate effect.

As of December 5th, 2022, no new customer order will be accepted for standpipe fittings - exceptions are standpipe fittings with currently available stock. No further replenishment will take place.

HPCE and Parker Sales Companies are reviewing the existing order book and will reach out to you proactively in case of any concerns of delivery.

For more information please don't hesitate to contact us.

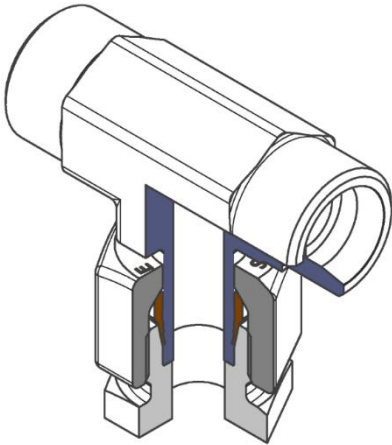
With best regards

ppa. Monika Novak
Division Supply Chain Manager
Parker Hannifin Manufacturing Germany GmbH & Co. KG
High Pressure Connectors Europe

ppa. Siegfried Geisler
Division Marketing Manager
Parker Hannifin Manufacturing Germany GmbH & Co. KG
High Pressure Connectors Europe

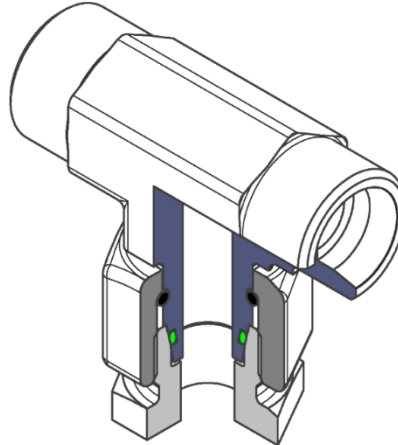
Please find attached more examples for metal seal fittings which will be replaced by their soft-seal equivalent if it fits the application.

Phase-out



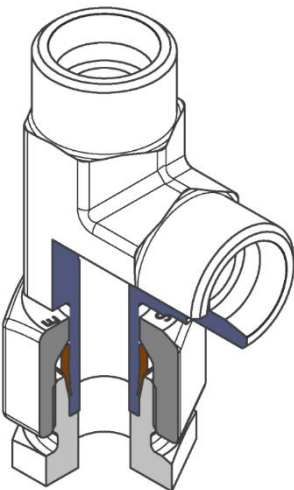
EVT – Standpipe branch tee
EO 24° cone end / EO standpipe

Replacement



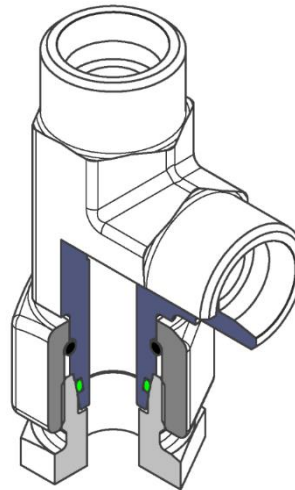
ET – Swivel nut branch tee
EO 24° cone end / EO 24° DKO swivel

Phase-out



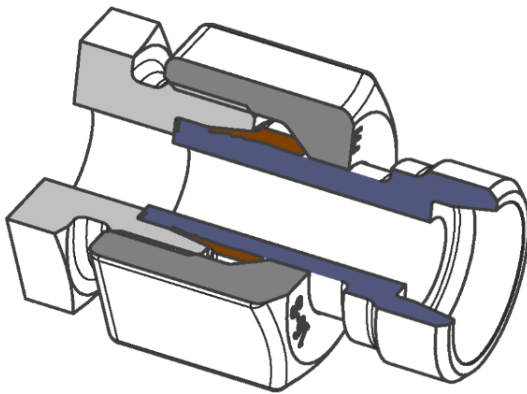
EVL – Standpipe run tee
EO 24° cone end / EO standpipe

Replacement



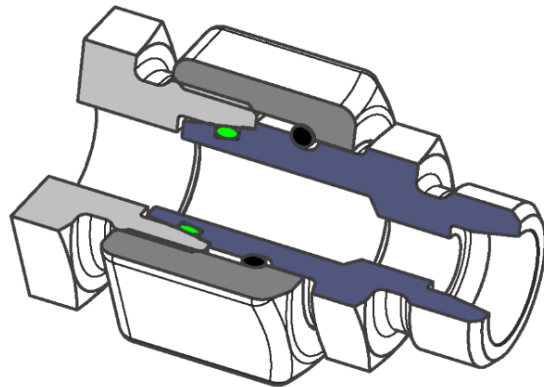
EL – Swivel nut run tee
EO 24° cone end / EO 24° DKO swivel

Phase-out



KOR – Tube end reducer
EO standpipe / EO 24° cone end

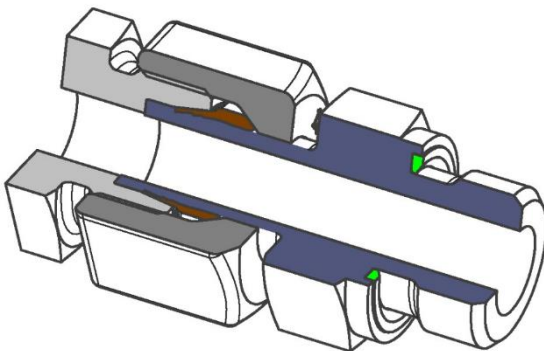
Replacement



RED – Tube end reducer
EO 24° DKO swivel / EO 24° cone end

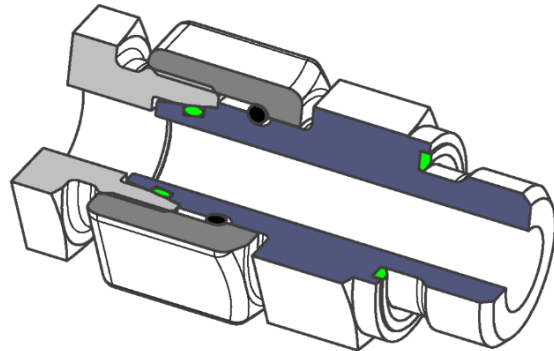
Please note: The dimensions are not the same. KOR has no HEX, which makes the assembly difficult

Phase-out



EVGE – Standpipe connector
ED seal (ISO 9974) / EO standpipe

Replacement



EGE – Swivel connector
ED seal (ISO 9974) / EO 24° DKO swivel