
 TECHNICAL DATA SHEET

PMA CobotProtect™ - EOA - CobotClamp

PMA



PMA CobotProtect™ - CobotClamp for fixation of PMA CobotKit & CobotKit+ at axis 6 of a collaborative robot



Applications:

- Metal clamp for collaborative robots (cobots) to fixate PMA CobotProtect™ – CobotKit & CobotKit+ at cobot end of arm (6th axis)
- Allows fixation of PMA conduit with BFH-0 System Support or BSH Tube Clamp

Features & Benefits:

- Designed to fit for BFH-0 System Support or BSH Tube Clamp
- Ensures fixed spacing at 6th axis between dress pack and end-of-arm tool
- ISO conformity makes it suitable for various cobot models
EOA-01 & EOA-03: ISO 9409-1-50-4-M6
EOA-02 & EOA-04: ISO 9409-1-80-6-M6

Materials:

- Stainless steel

Compatible with:

- PMA CLIP – BFH-0 – System support
- PMA Automation – BSH – Tube clamp

Environmental properties:

- Free from halogens and cadmium
- RoHS and REACH compliant

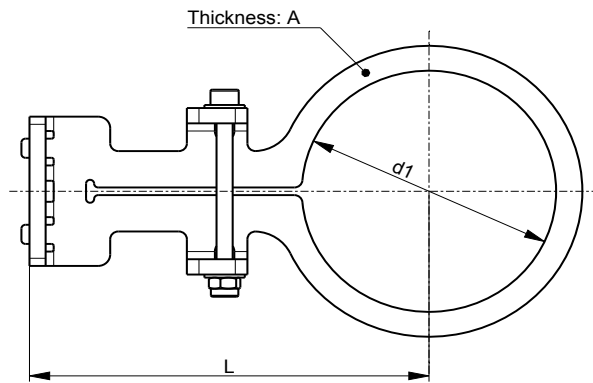
Additional Information:

- BSH Tube Clamp is separately available
- BFH-0 System Support is separately available or as part of PMA Cobotprotect™-CobotKit & CobotKit+

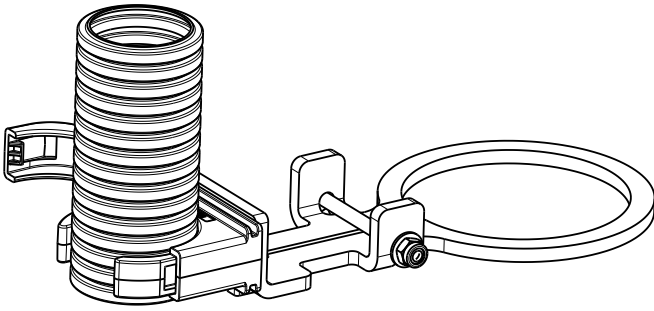
Product selection:

Part no.	Compatible with	Conduit size	Dimensions in mm (nom.)			Weight	Packing unit
			L	d1	A		
		NW				kg/pcs	pcs/PU
EOA-01	BFH-17-0 BFH-23-0 BFH-29-0 BFH-36-0	NW17 NW23 NW29 NW36	99.0	63.0	4.0	0.14	1
EOA-02	BSH-R23 BSH-R29 BSH-R36 BSH-R48	NW23 NW29 NW36 NW48	99.0	63.0	4.0	0.17	1
EOA-03	BFH-17-0 BFH-23-0 BFH-29-0 BFH-36-0	NW17 NW23 NW29 NW36	117.5	100.0	4.0	0.18	1
EOA-04	BSH-R23 BSH-R29 BSH-R36 BSH-R48	NW23 NW29 NW36 NW48	117.5	100.0	4.0	0.21	1

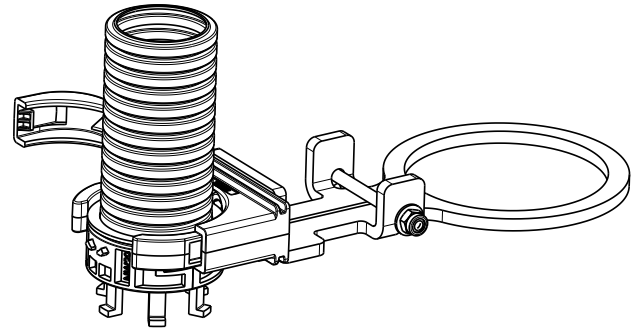
Our customer service dept. or local distribution partner will be pleased to help you concerning product availability and lead time



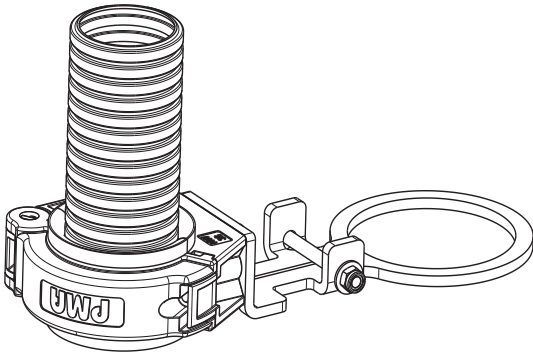
Examples for combination possibilities



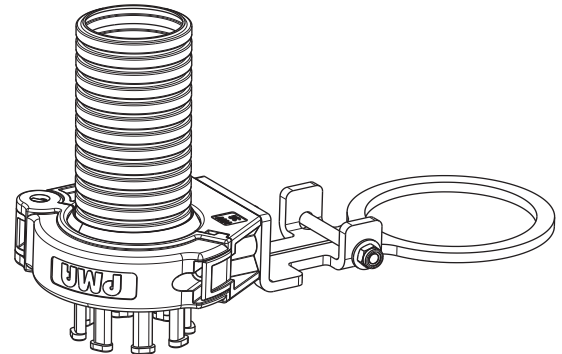
Variant A: Fixation of conduit terminal via BFH-0 mounted on CobotClamp (EOA-01, EOA-03)



Variant B: Fixation of conduit terminal via BCSR-Strain Relief and BFH-0 mounted on CobotClamp (EOA-01, EOA-03)
Note:
BCSR requires next in size BFH-0 (i.e., BCSR-17 for BFH-23-0)



Variant C: Fixation of conduit terminal via BGN Half-Shell Insert and BSH Tube Clamp mounted on CobotClamp (EOA-02, EOA-04)



Variant D: Fixation of conduit terminal via BBSR- Strain Relief and BSH Tube Clamp mounted on CobotClamp (EOA-02, EOA-04)

Content of delivery:

- 1x EOA, CobotClamp, incl. fastening material

Assembly instructions:

- Please consider the appropriate assembly instructions on www.pma.ch

ABB Switzerland Ltd,
PMA Cable Protection
Aathalstrasse 90
8610 Uster, Switzerland
Phone: +41 58 585 00 11
pma-info@ch.abb.com
www.pma.ch

Let's write the future.
Together. **abb.com**

We reserve the right to make technical changes or modify the contents of this document without prior notice. With regard to purchase orders, the agreed particulars shall prevail. ABB Installation Products Inc. does not accept any responsibility whatsoever for potential errors or possible lack of information in this document.

We reserve all rights in this document and in the subject matter and illustrations contained therein. Any reproduction, disclosure to third parties or utilization of its contents – in whole or in parts – is forbidden without prior written consent of ABB Inc. Copyright© 2019 ABB Installation Products Inc. All rights reserved

