

Doors/locks

Viewing panels/operating panels



System window

To conceal display and operating instruments or cut-outs, and to protect against dirt and liquids as well as unauthorised access.

Consisting of the following 2 components:

1. Base frame:

- Easily screw-fastened to the door thanks to modified dimensions (tubular door frame may be used as a drilling template).
- Readily height-adjustable
- Stabilises the door cut-out
- Conceals the cut edge
- The rain canopy
 - prevents dirt from landing on the seal
 - protects the glass from being lifted out
 - prevents the ingress of dirt and moisture when opening the window
- Frame section height 30 mm or 60 mm

2. Viewing window:

- Made from single-pane safety glass:
 - High level of resistance to solvents and scratches
 - Anti-static
 - Reduced risk of injury if broken
- Cam lock with double-bit insert, may be exchanged for lock inserts, type A, and semi-cylinders in the Ergoform-S lock system (not with 2735.500 and .560)
- Hinge with 180° opening angle, easily inserted

Material:

- Extruded aluminium sections with die-cast zinc corner pieces and single-pane safety glass

Surface finish:

- Base frame: Powder coated in RAL 7035
- Hinge and lock section: Natural anodised.

Protection category to IEC 60 529:

- IP 54

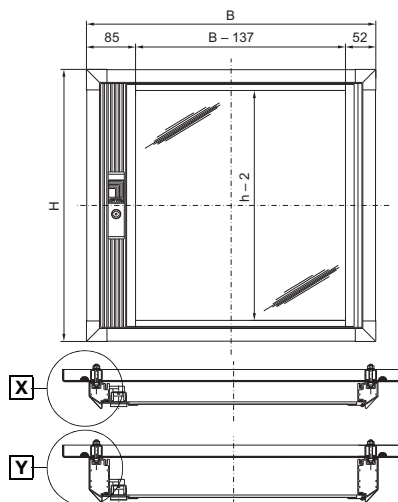
30 section

To fit TS, SE with width mm	Window size, exterior mm		Model No.
	W	H	
600	500	270	2735.500
		370	2735.510
		470	2735.520
		570	2735.530
800	700	670	2735.540
		270	2735.560
		370	2735.570
		470	2735.580
		570	2735.590
		670	2735.250

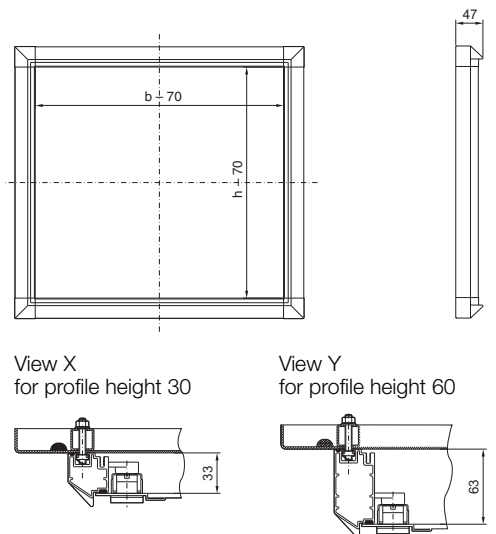
60 section

To fit TS, SE with width mm	Window size, exterior mm		Model No.
	W	H	
600	500	370	2736.510
		470	2736.520
		570	2736.530
		670	2736.540
800	700	670	2736.500

Standard double-bit lock insert may be exchanged for 27 mm lock inserts, version A, see page 570 and Ergoform-S lock system (except H = 270 mm), see page 568



Viewing area (B - 137) offset by 16.5 mm towards the hinge side



View X for profile height 30

View Y for profile height 60