



Lock cylinder inserts

Version	B	C
		
	With lock no. 3524 E ¹⁾	With lock no. 3524 E ¹⁾
Material	Die-cast zinc	Die-cast zinc
	Model No.	
	2571.000	2525.000

¹⁾ With two keys



Semi-cylinder lock

for compact enclosures AE

For retro-fitting to all single-door enclosures with cam lock.

The cover plate is locked by semi-cylinders with a total length of 40/45 mm (to DIN 18 252). An additional cover protects the cylinder against dirt. The protection category of the enclosure is not impaired. Supplied without semi-cylinder.

Material:

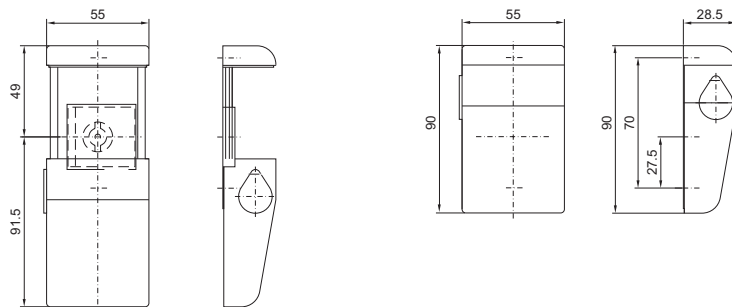
– Die-cast zinc

Version	Model No.
RAL 7035	2534.100
Nickel-plated (matt)	2534.500



Accessories:

– Semi-cylinder, see page 565



Lock cover

for padlocks or multiple locks

For retrospective mounting on all compact enclosures AE, sheet steel, with cam lock.

Material:

– Die-cast zinc

Surface finish:

– Nickel-plated

Packs of	Model No.
1 pc(s).	2493.000

