

Vacuum/pressure switch

VSi VP8 M8-4

Part no.:10.06.02.00569

<https://www.schmalz.com/10.06.02.00569>

Homepage > Vacuum Technology for Automation > Vacuum Components > Switches and System Monitoring > Electronic Vacuum and Pressure Switches > Vacuum and Pressure Switches VSi > VSi VP8 M8-4

Vacuum and pressure switch with two digital output signals and IO-Link function



Measuring range: -1...8 bar

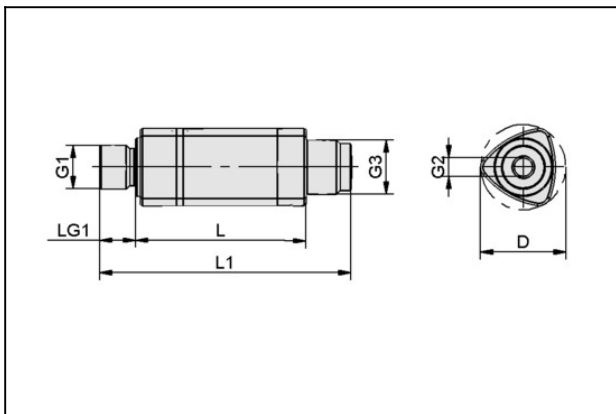
Electrical connection:

Male connect M8, 4 pole

Indication: LED

Protection: IP 65

Design Data



Attribute	Value
D	19.6 mm
G1	G1/8"-M
G2	M5-F
G3	M8x1-M
L	38 mm
L1	55 mm
LG1	8 mm

Technical Data

Attribute	Value
Measured medium	Non-aggressive gases; dry, oil-free air

Contact to Schmalz

J. Schmalz GmbH | Johannes-Schmalz-Straße, 72293 Glatten, Deutschland | +49 7443 2403-102 | customercenter@schmalz.de

Vacuum/pressure switch

VSi VP8 M8-4

Part no.:10.06.02.00569

<https://www.schmalz.com/10.06.02.00569>



Attribute	Value
Measuring range	-1.0...8.0 bar
Overpressure resistance	12 bar
Repeatability	± 3% of measuring range
Hysteresis	Adjustable
Inputs/outputs	2 digital
Switching capacity (max)	100 mA
Indication	LED
Electrical connection	Male connect M8, 4 pole
Connection	G1/8"-M + M5-F
Voltage	10-30V DC
Current consumption	35 mA
Protection type IP	IP 65
Temperature influence	± 3% of measuring range
Operating temperature	0 ... 50 °C
Weight	12 g
Measuring range	-14.5...116.0
Overpressure resistance	174.04 psi

Accessories

Contact to Schmalz

J. Schmalz GmbH | Johannes-Schmalz-Straße, 72293 Glatten, Deutschland | +49 7443 2403-102 | customercenter@schmalz.de

Vacuum/pressure switch

VSi VP8 M8-4

Part no.:10.06.02.00569

<https://www.schmalz.com/10.06.02.00569>



ASK B-M8-4 5000 K-4P

Part no.10.06.02.00031

Connection cable

Interface Connection 1:

Fem connect M8, 4 pol

Cable length: 5000 mm

Interface Connection 2: Cable 4

Material: PUR-Cable



ASK WB-M8-4 5000 K-4P

Part no.10.06.02.00032

Connection cable

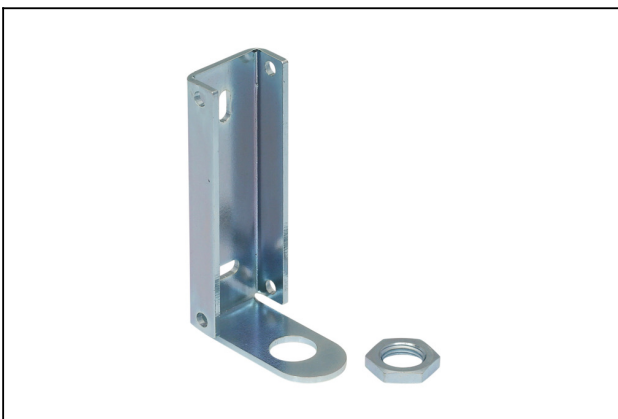
Interface Connection 1:

Elbow fem con M8, 4 pol

Cable length: 5000 mm

Interface Connection 2: Cable 4

Material: PUR-Cable



BEF-WIN 21x22x60.5 1.5 VS

Part no.10.06.02.00061

Mounting bracket

Width B: 21 mm

Height H: 22 mm

Length L: 60.5 mm

Wall thickness s: 1.5 mm

for: Vacuum switch

Vacuum/pressure switch

VSi VP8 M8-4

Part no.:10.06.02.00569

<https://www.schmalz.com/10.06.02.00569>



STVI-GE G1/8-IG 4

Part no.10.08.02.00149

Push-in Fitting, straight

Thread G1: G1/8"-F

External hose diameter: 4 mm

Material: Brass

Surface: nickel plated

Ambient temperature: -20 ... 80 °C



STVI-GE G1/8-IG 6

Part no.10.08.02.00150

Push-in Fitting, straight

Thread G1: G1/8"-F

External hose diameter: 6 mm

Material: Brass

Surface: nickel plated

Ambient temperature: -20 ... 80 °C



STVI-GE G1/8-IG 8

Part no.10.08.02.00151

Push-in Fitting, straight

Thread G1: G1/8"-F

External hose diameter: 8 mm

Material: Brass

Surface: nickel plated

Ambient temperature: -20 ... 80 °C

Vacuum/pressure switch

VSi VP8 M8-4

Part no.:10.06.02.00569

<https://www.schmalz.com/10.06.02.00569>



HTR-VSi Clip

Part no.10.06.02.00718

Plastic holder for mounting vacuum VSi / VS-V-SA

Connection geometry: Clip

Packaging unit: 2 pieces