

# Vacuum/pressure switch

## VSi VP8 D M8-4

Part no.:10.06.02.00579

<https://www.schmalz.com/10.06.02.00579>

Homepage > Vacuum Technology for Automation > Vacuum Components > Switches and System Monitoring > Electronic Vacuum and Pressure Switches > Vacuum and Pressure Switches VSi > VSi VP8 D M8-4

### Vacuum and pressure switch with two digital output signals and IO-Link function



Measuring range: -1...8 bar

Type: with display

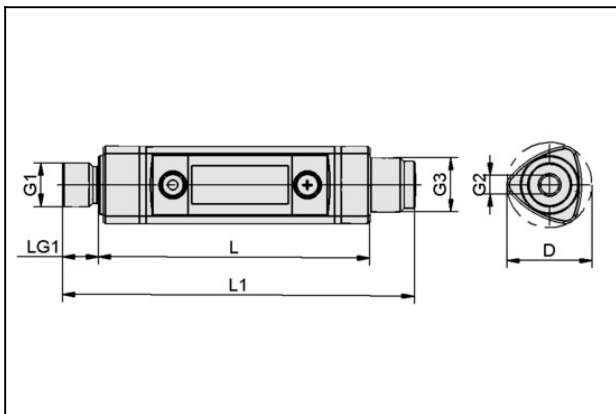
Electrical connection:

Male connect M8, 4 pole

Indication: 2xLED

Protection: IP 65

### Design Data



| Attribute | Value   |
|-----------|---------|
| D         | 19.6 mm |
| G1        | G1/8"-M |
| G2        | M5-F    |
| G3        | M8x1-M  |
| L         | 60.5 mm |
| L1        | 77.5 mm |
| LG1       | 8 mm    |

### Technical Data

| Attribute       | Value                                   |
|-----------------|---|
| Measured medium | Non-aggressive gases; dry, oil-free air |

### Contact to Schmalz

J. Schmalz GmbH | Johannes-Schmalz-Straße, 72293 Glatten, Deutschland | +49 7443 2403-102 | [customercenter@schmalz.de](mailto:customercenter@schmalz.de)

# Vacuum/pressure switch

## VSi VP8 D M8-4

Part no.:10.06.02.00579

<https://www.schmalz.com/10.06.02.00579>



| Attribute                        | Value                   |
|----------------------------------|-------------------------|
| Measuring range                  | -1.0...8.0 bar          |
| Overpressure resistance          | 12 bar                  |
| Repeatability                    | ± 3% of measuring range |
| Hysteresis                       | Adjustable              |
| Inputs/outputs                   | 2 digital               |
| Switching capacity (max)         | 100 mA                  |
| Indication                       | 2xLED                   |
| Electrical connection            | Male connect M8, 4 pole |
| Connection                       | G1/8"-M + M5-F          |
| Voltage                          | 10-30V DC               |
| Current consumption              | 35 mA                   |
| Protection type IP               | IP 65                   |
| Temperature influence            | ± 3% of measuring range |
| Operating temperature            | 0 ... 50 °C             |
| Weight                           | 16 g                    |
| Measuring range                  | -14.5...116.0           |
| Overpressure resistance          | 174.04 psi              |
| Construction shape vacuum switch | with display            |

---

### Accessories

#### Contact to Schmalz

J. Schmalz GmbH | Johannes-Schmalz-Straße, 72293 Glatten, Deutschland | +49 7443 2403-102 | [customercenter@schmalz.de](mailto:customercenter@schmalz.de)

## Vacuum/pressure switch

VSi VP8 D M8-4

Part no.:10.06.02.00579

<https://www.schmalz.com/10.06.02.00579>



### ASK B-M8-4 5000 K-4P

Part no.10.06.02.00031

Connection cable

Interface Connection 1:

Fem connect M8, 4 pol

Cable length: 5000 mm

Interface Connection 2: Cable 4

Material: PUR-Cable



### ASK WB-M8-4 5000 K-4P

Part no.10.06.02.00032

Connection cable

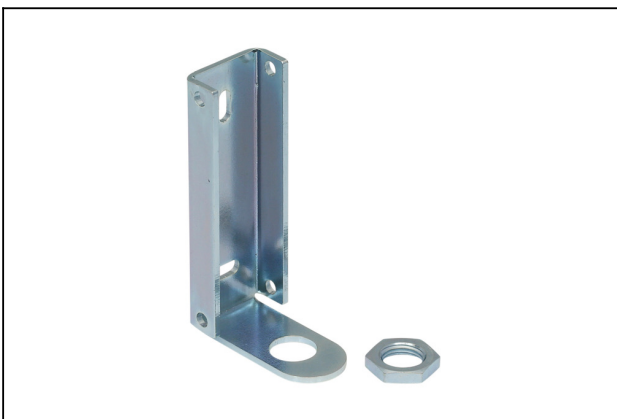
Interface Connection 1:

Elbow fem con M8, 4 pol

Cable length: 5000 mm

Interface Connection 2: Cable 4

Material: PUR-Cable



### BEF-WIN 21x22x60.5 1.5 VS

Part no.10.06.02.00061

Mounting bracket

Width B: 21 mm

Height H: 22 mm

Length L: 60.5 mm

Wall thickness s: 1.5 mm

for: Vacuum switch

## Vacuum/pressure switch

VSi VP8 D M8-4

Part no.:10.06.02.00579

<https://www.schmalz.com/10.06.02.00579>



### STVI-GE G1/8-IG 4

Part no.10.08.02.00149

Push-in Fitting, straight

Thread G1: G1/8"-F

External hose diameter: 4 mm

Material: Brass

Surface: nickel plated

Ambient temperature: -20 ... 80 °C



### STVI-GE G1/8-IG 6

Part no.10.08.02.00150

Push-in Fitting, straight

Thread G1: G1/8"-F

External hose diameter: 6 mm

Material: Brass

Surface: nickel plated

Ambient temperature: -20 ... 80 °C



### STVI-GE G1/8-IG 8

Part no.10.08.02.00151

Push-in Fitting, straight

Thread G1: G1/8"-F

External hose diameter: 8 mm

Material: Brass

Surface: nickel plated

Ambient temperature: -20 ... 80 °C

## Vacuum/pressure switch

VSi VP8 D M8-4

Part no.:10.06.02.00579

<https://www.schmalz.com/10.06.02.00579>



### HTR-VSi Clip

Part no.10.06.02.00718

Plastic holder for mounting vacuum VSi / VS-V-SA

Connection geometry: Clip

Packaging unit: 2 pieces