

# Magnetic Grippers

## SGM 50 G1/4-IG

Part no.:10.01.17.00164

<https://www.schmalz.com/10.01.17.00164>

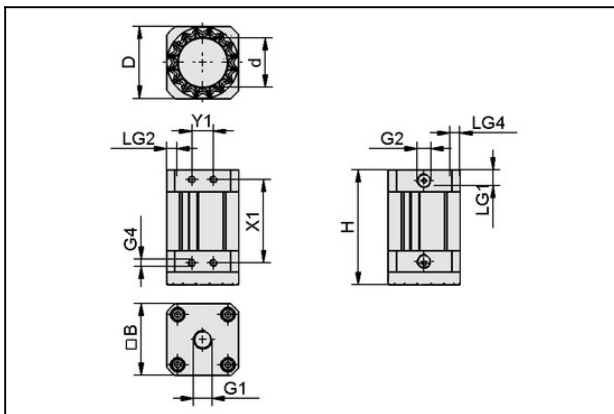
Homepage > Vacuum Technology for Automation > Vacuum Components > Special Grippers > Magnetic Grippers > Magnetic Grippers SGM > SGM 50 G1/4-IG

## Magnetic gripper for handling metal sheets with holes



Size: 50  
 Socket: G1/4"-F  
 Holding force max friction ring: 180 N  
 Pressure range (operating pressure):  
 3.5 ... 6.0 bar

### Design Data



Attribute	Value
B	50.7 mm
D	50 mm
d	35 mm
G1	G1/4"-F
G2	G1/8"-F
G4	M5-F
H	80.2 mm
LG1	11 mm
LG2	6 mm
LG4	7 mm
X1	58 mm
Y1	15 mm

# Magnetic Grippers

## SGM 50 G1/4-IG

Part no.:10.01.17.00164

<https://www.schmalz.com/10.01.17.00164>



### Technical Data

Attribute	Value
Holding force max. friction ring	180 N
Remaining force	0.3 N
Pressure range (operating pressure)	3.5 ... 6.0 bar
Installation position	Any
Control valve	Bistable
Operating temperature	5 ... 70 °C
Weight	440 g
Product family	SGM

Note: Holding force: The value given is a statistical value with no safety factor; based on a plate with a thickness of 2 mm. For system configurations with magnetic grippers SGM, a safety factor of  $S = 3$  must be applied

### Spare Parts



#### REIB-RING SGM 50 PU-55

Part no.10.01.17.00138

Friction ring

for: Magnetic gripper

Size: 50

External diameter D: 50 mm

Internal diameter d: 35 mm

### Accessories

#### Contact to Schmalz

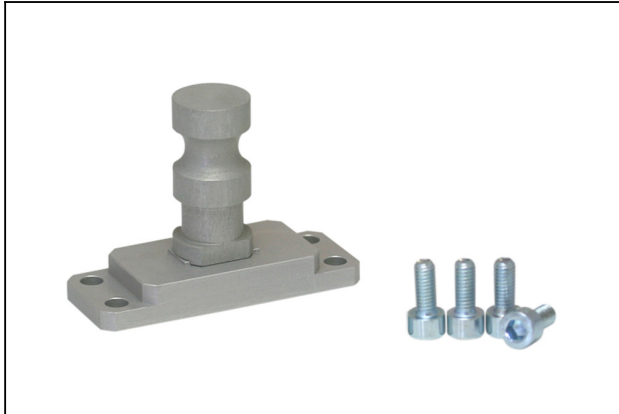
J. Schmalz GmbH | Johannes-Schmalz-Straße, 72293 Glatten, Deutschland | +49 7443 2403-102 | [customercenter@schmalz.de](mailto:customercenter@schmalz.de)

## Magnetic Grippers

### SGM 50 G1/4-IG

Part no.:10.01.17.00164

<https://www.schmalz.com/10.01.17.00164>



#### HTS-A2 SGM 50/70

Part no.10.01.17.00172

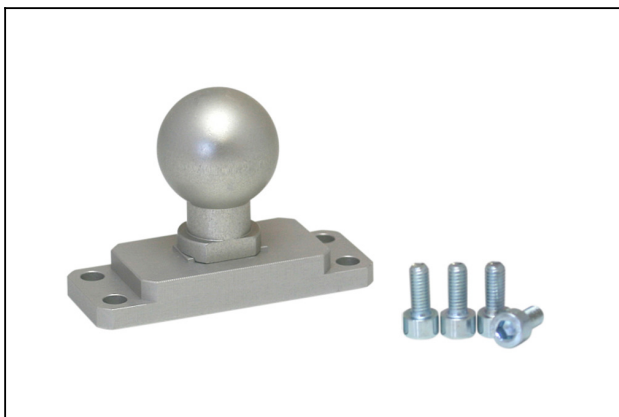
Holder system

Cross-beam connection:

Bolt with slot  $\varnothing$ 19mm

for: Magnetic gripper

Size: 50/70



#### HTS-A3 SGM 50/70

Part no.10.01.17.00173

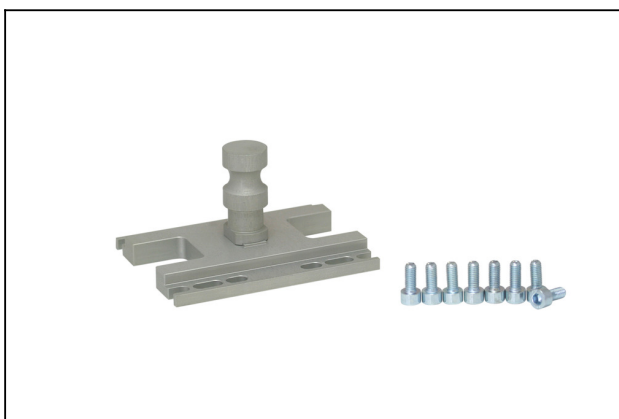
Holder system

Cross-beam connection:

Ball head 28.5 mm

for: Magnetic gripper

Size: 50/70



#### HTS-A2 D SGM 50/70

Part no.10.01.17.00178

Holder system

Cross-beam connection:

Bolt with slot  $\varnothing$ 19mm

Shape: Double block

for: Magnetic gripper

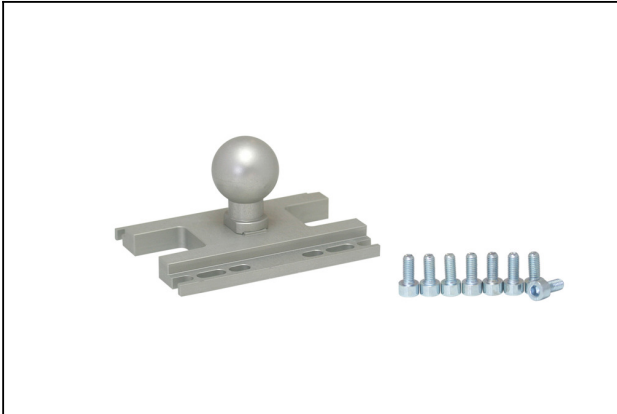
Size: 50/70

## Magnetic Grippers

### SGM 50 G1/4-IG

Part no.:10.01.17.00164

<https://www.schmalz.com/10.01.17.00164>



#### HTS-A3 D SGM 50/70

Part no.10.01.17.00179

Holder system

Cross-beam connection:

Ball head 28.5 mm

Shape: Double block  
for: Magnetic gripper

Size: 50/70



#### STV-GE G1/8-AG 6

Part no.10.08.02.00204

Push-in Fitting, straight

Thread G1: G1/8"-M

External hose diameter: 6 mm

Material: Brass

Surface: nickel plated

Ambient temperature: -20 ... 80 °C



#### STV-W G1/8-AG 6

Part no.10.08.02.00158

Push-in Fitting, swivelling elbow

Thread G1: G1/8"-M

External hose diameter: 6 mm

Material: Brass, nickel-plated

Ambient temperature: -20 ... 80 °C

## Magnetic Grippers

### SGM 50 G1/4-IG

Part no.:10.01.17.00164

<https://www.schmalz.com/10.01.17.00164>



#### VSL 6-4 PU

Part no.10.07.09.00002

Hose for vacuum and compressed-air systems

External diameter D: 6 mm

Internal diameter d: 4 mm

Length (max): 500 m

Material: PU

Installation radius (min): 35 mm

Pressure range (operating pressure):

-0.95 ... 10.00 bar

Ambient temperature: -20 ... 90 °C