

## Basic ejector

### SBP 05 S01 SDA

Part no.:10.02.01.00563

<https://www.schmalz.com/10.02.01.00563>

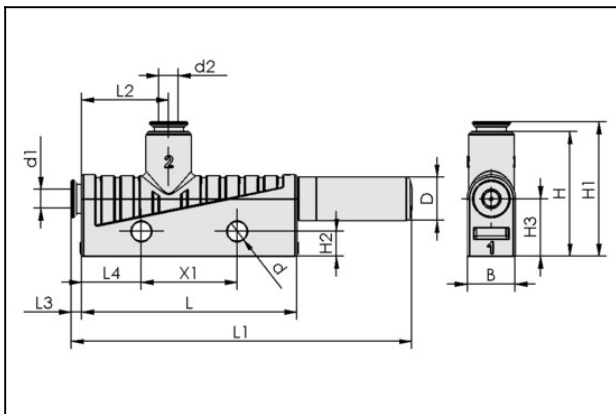
Homepage > Vacuum Technology for Automation > Vacuum Components > Vacuum Generators > Basic Ejectors > Basic Ejectors SBP > SBP 05 S01 SDA

## Basic ejector for universal use



Nozzle size: 0,5 mm  
 with: Axial silencer  
 Degree of evacuation: 85 %  
 Connection: Hose D4(1)-D4(2)  
 Pressure optimal: 4.5 bar  
 Suction rate (max): 8 l/min  
 Air consumption (during evac.):  
 13.5 l/min

## Design Data



Attribute	Value
B	10 mm
d	4.2 mm
d1	4 mm
d2	4 mm
D	9 mm
H	26 mm
H1	28 mm
H2	5.2 mm
H3	12 mm
L	45 mm
L1	71 mm
L2	18 mm
L3	2 mm

## Contact to Schmalz

J. Schmalz GmbH | Johannes-Schmalz-Straße, 72293 Glatten, Deutschland | +49 7443 2403-102 | [customercenter@schmalz.de](mailto:customercenter@schmalz.de)

# Basic ejector

## SBP 05 S01 SDA

Part no.:10.02.01.00563

<https://www.schmalz.com/10.02.01.00563>



Attribute	Value
L4	12.5 mm
X1	20 mm

---

### Technical Data

Attribute	Value
Nozzle diameter	0.5 mm
Degree of evacuation	85 %
Suction rate (max.)	0.5 m <sup>3</sup> /h
Suction rate (max.)	8 l/min
Air consumption suction	0.8 m <sup>3</sup> /h
Air consumption suction	13.5 l/min
Sound level free	58 dB(A)
Sound level suction	53 dB(A)
Pressure range (operating pressure)	3.0 ... 6.0 bar
Pressure optimal	4.5 bar
Recomm. internal hose diameter compressed air	2 mm
Recomm. internal hose diameter vacuum	2 mm
Operating temperature	0 ... 60 °C
Pressure range (operating pressure)	43.5...87.0
Suction rate (max.)	0.282 cfm
Air consumption suction	0.476 cfm
Weight	7.5 g

Note: Air consumption: At optimal operating pressure Hose diameter: For max. length 2 m

---

#### Contact to Schmalz

J. Schmalz GmbH | Johannes-Schmalz-Straße, 72293 Glatten, Deutschland | +49 7443 2403-102 | [customercenter@schmalz.de](mailto:customercenter@schmalz.de)

## Basic ejector

SBP 05 S01 SDA

Part no.:10.02.01.00563

<https://www.schmalz.com/10.02.01.00563>

### Spare Parts



#### **SD M5-AG 9x24**

Part no.10.02.01.00539

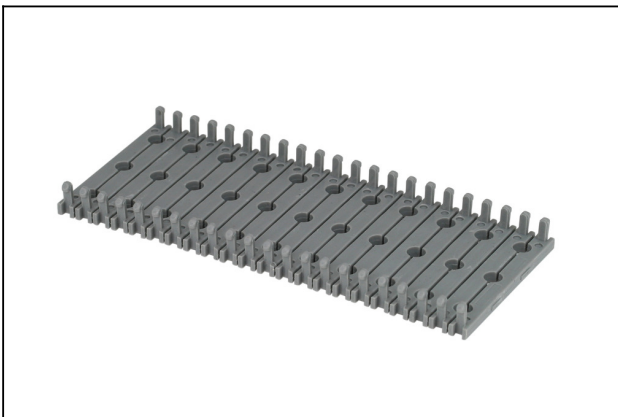
Silencer for vacuum generators

Thread G1: M5-M

External diameter D: 9 mm

Length L: 24 mm

### Accessories



#### **BEF-PL 110x44.5x3 SBP**

Part no.10.02.01.00511

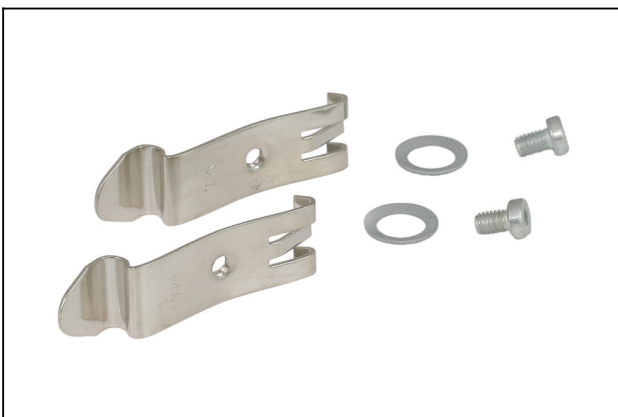
Mounting plate

Length L: 110 mm

Width B: 44.5 mm

Height H: 3 mm

for: Basic ejectors SBP



#### **SET SBP M4-IG**

Part no.10.02.01.00769

Mounting set

for: Basic ejectors SBP

Type: M4-IG

## Basic ejector

SBP 05 S01 SDA

Part no.:10.02.01.00563

<https://www.schmalz.com/10.02.01.00563>



### VFI CN6/4 50

Part no.10.07.01.00241

Vacuum filter with replaceable filter cartridge

Connection: Hose 6/4 with Cap nut

Filter pore size: 50 µm



### VFI 4/2 50

Part no.10.07.01.00329

Vacuum filter with replaceable filter cartridge

Connection: Hose 4/2

Filter pore size: 50 µm