

## Basic ejector

### SBP 10 S02 SDA

Part no.:10.02.01.00565

<https://www.schmalz.com/10.02.01.00565>

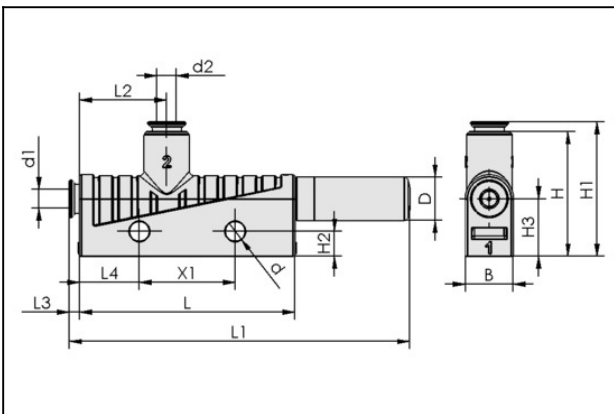
Homepage > Vacuum Technology for Automation > Vacuum Components > Vacuum Generators > Basic Ejectors > Basic Ejectors SBP > SBP 10 S02 SDA

## Basic ejector for universal use



Nozzle size: 1,0 mm  
 with: Axial silencer  
 Degree of evacuation: 85 %  
 Connection: Hose D6(1)-D8(2)  
 Pressure optimal: 4.5 bar  
 Suction rate (max): 37.7 l/min  
 Air consumption (during evac.):  
 48 l/min

## Design Data



Attribute	Value
B	15 mm
d	4.2 mm
d1	6 mm
d2	8 mm
D	14 mm
H	34 mm
H1	40 mm
H2	5.2 mm
H3	14 mm
L	51.5 mm
L1	97 mm
L2	22 mm
L3	5.5 mm

## Contact to Schmalz

J. Schmalz GmbH | Johannes-Schmalz-Straße, 72293 Glatten, Deutschland | +49 7443 2403-102 | [customercenter@schmalz.de](mailto:customercenter@schmalz.de)

# Basic ejector

## SBP 10 S02 SDA

Part no.:10.02.01.00565

<https://www.schmalz.com/10.02.01.00565>



Attribute	Value
L4	12.5 mm
X1	20 mm

---

### Technical Data

Attribute	Value
Nozzle diameter	1 mm
Degree of evacuation	85 %
Suction rate (max.)	2.3 m <sup>3</sup> /h
Suction rate (max.)	37.7 l/min
Air consumption suction	2.9 m <sup>3</sup> /h
Air consumption suction	48 l/min
Sound level free	65 dB(A)
Sound level suction	59 dB(A)
Pressure range (operating pressure)	3.0 ... 6.0 bar
Pressure optimal	4.5 bar
Recomm. internal hose diameter compressed air	4 mm
Recomm. internal hose diameter vacuum	6 mm
Operating temperature	0 ... 60 °C
Pressure range (operating pressure)	43.5...87.0
Suction rate (max.)	1.331 cfm
Air consumption suction	1.695 cfm
Weight	22 g

Note: Air consumption: At optimal operating pressure Hose diameter: For max. length 2 m

---

#### Contact to Schmalz

J. Schmalz GmbH | Johannes-Schmalz-Straße, 72293 Glatten, Deutschland | +49 7443 2403-102 | [customercenter@schmalz.de](mailto:customercenter@schmalz.de)

## Basic ejector

### SBP 10 S02 SDA

Part no.:10.02.01.00565

<https://www.schmalz.com/10.02.01.00565>

### Spare Parts



#### **SD G1/8-AG 14x40**

Part no.10.02.01.00540

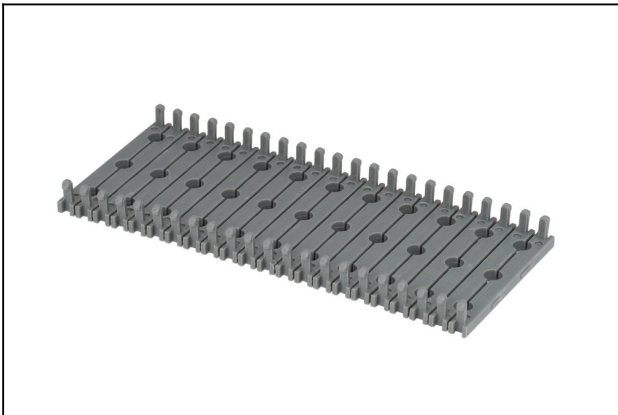
Silencer for vacuum generators

Thread G1: G1/8"-M

External diameter D: 14 mm

Length L: 40 mm

### Accessories



#### **BEF-PL 110x44.5x3 SBP**

Part no.10.02.01.00511

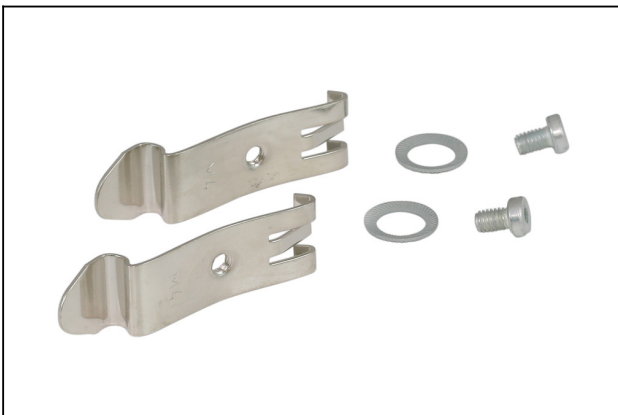
Mounting plate

Length L: 110 mm

Width B: 44.5 mm

Height H: 3 mm

for: Basic ejectors SBP



#### **SET SBP M4-IG**

Part no.10.02.01.00769

Mounting set

for: Basic ejectors SBP

Type: M4-IG

## Basic ejector

### SBP 10 S02 SDA

Part no.:10.02.01.00565

<https://www.schmalz.com/10.02.01.00565>



#### VFI CN8/6 50

Part no.10.07.01.00245

Vacuum filter with replaceable filter cartridge

Connection: Hose 8/6 with Cap nut

Filter pore size: 50  $\mu\text{m}$



#### VFI 6/4 50

Part no.10.07.01.00328

Vacuum filter with replaceable filter cartridge

Connection: Hose 6/4

Filter pore size: 50  $\mu\text{m}$



#### VFT G1/8-IG 80

Part no.10.07.01.00116

Vacuum cup filter with transparent housing and replaceable filter

Connection: G1/8"-F

Shape: Short filter insert

Nominal flow rate: 2.7  $\text{m}^3/\text{h}$

Filter pore size: 80  $\mu\text{m}$

## Basic ejector

### SBP 10 S02 SDA

Part no.:10.02.01.00565

<https://www.schmalz.com/10.02.01.00565>



### SEG 10 HS

Part no.10.02.01.00247

Basic ejector with robust housing for universal use

Nozzle size: 1,0 mm

Design: For high vacuum

Suction rate (max): 34 l/min

Air consumption (during evac.):

49 l/min