

Basic ejector

SBP 15 S02 SDA

Part no.:10.02.01.00566

<https://www.schmalz.com/10.02.01.00566>

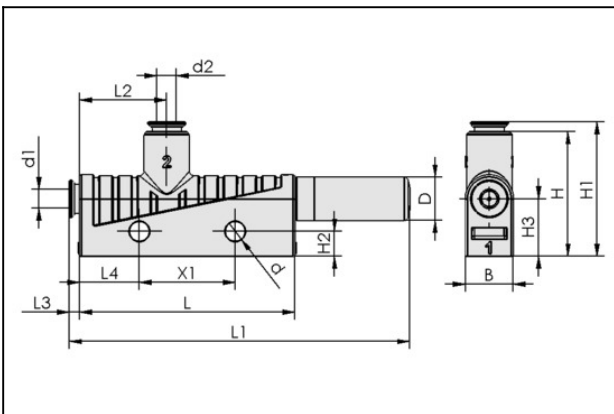
Homepage > Vacuum Technology for Automation > Vacuum Components > Vacuum Generators > Basic Ejectors > Basic Ejectors SBP > SBP 15 S02 SDA

Basic ejector for universal use



Nozzle size: 1,5 mm
 with: Axial silencer
 Degree of evacuation: 85 %
 Connection: Hose D6(1)-D8(2)
 Pressure optimal: 4.5 bar
 Suction rate (max): 71 l/min
 Air consumption (during evac.):
 105 l/min

Design Data



Attribute	Value
B	15 mm
d	4.2 mm
d1	6 mm
d2	8 mm
D	14 mm
H	34 mm
H1	40 mm
H2	5.2 mm
H3	14 mm
L	51.5 mm
L1	97 mm
L2	22 mm
L3	5.5 mm

Contact to Schmalz

J. Schmalz GmbH | Johannes-Schmalz-Straße, 72293 Glatten, Deutschland | +49 7443 2403-102 | customercenter@schmalz.de

Basic ejector

SBP 15 S02 SDA

Part no.:10.02.01.00566

<https://www.schmalz.com/10.02.01.00566>



Attribute	Value
L4	12.5 mm
X1	20 mm

Technical Data

Attribute	Value
Nozzle diameter	1.5 mm
Degree of evacuation	85 %
Suction rate (max.)	4.3 m ³ /h
Suction rate (max.)	71 l/min
Air consumption suction	6.3 m ³ /h
Air consumption suction	105 l/min
Sound level free	72 dB(A)
Sound level suction	65 dB(A)
Pressure range (operating pressure)	3.0 ... 6.0 bar
Pressure optimal	4.5 bar
Recomm. internal hose diameter compressed air	4 mm
Recomm. internal hose diameter vacuum	6 mm
Operating temperature	0 ... 60 °C
Pressure range (operating pressure)	43.5...87.0
Suction rate (max.)	2.507 cfm
Air consumption suction	3.707 cfm
Weight	22 g

Note: Air consumption: At optimal operating pressure Hose diameter: For max. length 2 m

Contact to Schmalz

J. Schmalz GmbH | Johannes-Schmalz-Straße, 72293 Glatten, Deutschland | +49 7443 2403-102 | customercenter@schmalz.de

Basic ejector

SBP 15 S02 SDA

Part no.:10.02.01.00566

<https://www.schmalz.com/10.02.01.00566>

Spare Parts



SD G1/8-AG 14x40

Part no.10.02.01.00540

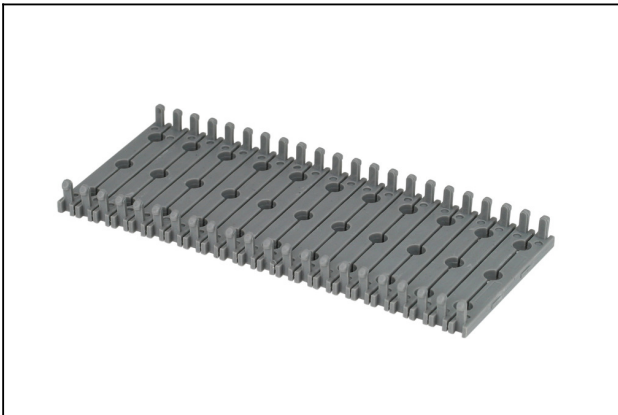
Silencer for vacuum generators

Thread G1: G1/8"-M

External diameter D: 14 mm

Length L: 40 mm

Accessories



BEF-PL 110x44.5x3 SBP

Part no.10.02.01.00511

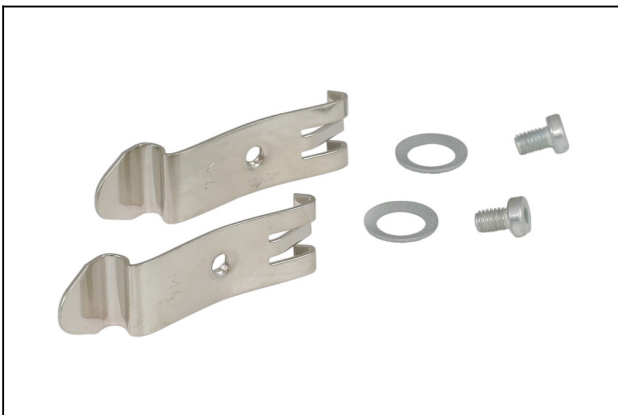
Mounting plate

Length L: 110 mm

Width B: 44.5 mm

Height H: 3 mm

for: Basic ejectors SBP



SET SBP M4-IG

Part no.10.02.01.00769

Mounting set

for: Basic ejectors SBP

Type: M4-IG

Basic ejector

SBP 15 S02 SDA

Part no.:10.02.01.00566

<https://www.schmalz.com/10.02.01.00566>



VFT G1/4-IG 80

Part no.10.07.01.00119

Vacuum cup filter with transparent housing and replaceable filter

Connection: G1/4"-F

Shape: Short filter insert

Nominal flow rate: 6.6 m³/h

Filter pore size: 80 µm