

## Basic ejector

### SBP 25 G03 SDA

Part no.:10.02.01.00604

<https://www.schmalz.com/10.02.01.00604>

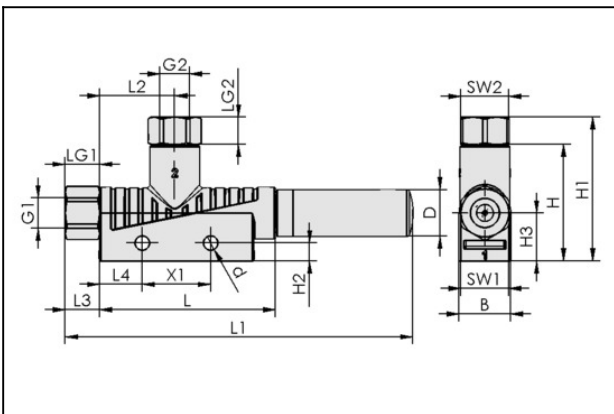
Homepage > Vacuum Technology for Automation > Vacuum Components > Vacuum Generators > Basic Ejectors > Basic Ejectors SBP > SBP 25 G03 SDA

## Basic ejector for universal use



Nozzle size: 2,5 mm  
 with: Axial silencer  
 Degree of evacuation: 85 %  
 Connection: G1/4"(1)-G3/8"(2)  
 Pressure optimal: 4.5 bar  
 Suction rate (max): 215 l/min  
 Air consumption (during evac.):  
 311 l/min

## Design Data



| Attribute | Value    |
|-----------|----------|
| B         | 20 mm    |
| d         | 4.2 mm   |
| D         | 20 mm    |
| G1        | G1/4"-F  |
| G2        | G3/8"-F  |
| H         | 39 mm    |
| H1        | 53.5 mm  |
| H2        | 5.2 mm   |
| H3        | 17 mm    |
| L         | 86.5 mm  |
| L1        | 175.5 mm |
| L2        | 24.5 mm  |
| L3        | 13 mm    |

## Contact to Schmalz

J. Schmalz GmbH | Johannes-Schmalz-Straße, 72293 Glatten, Deutschland | +49 7443 2403-102 | [customercenter@schmalz.de](mailto:customercenter@schmalz.de)

# Basic ejector

## SBP 25 G03 SDA

Part no.:10.02.01.00604

<https://www.schmalz.com/10.02.01.00604>



| Attribute | Value   |
|-----------|---------|
| L4        | 12.5 mm |
| LG1       | 9 mm    |
| LG2       | 10 mm   |
| SW1       | 17 mm   |
| SW2       | 19 mm   |
| X1        | 20 mm   |

---

### Technical Data

| Attribute                                     | Value                  |
|---|------------------------|
| Nozzle diameter                               | 2.5 mm                 |
| Degree of evacuation                          | 85 %                   |
| Suction rate (max.)                           | 12.9 m <sup>3</sup> /h |
| Suction rate (max.)                           | 215 l/min              |
| Air consumption suction                       | 18.7 m <sup>3</sup> /h |
| Air consumption suction                       | 311 l/min              |
| Sound level free                              | 78 dB(A)               |
| Sound level suction                           | 70 dB(A)               |
| Pressure range (operating pressure)           | 3.0 ... 6.0 bar        |
| Pressure optimal                              | 4.5 bar                |
| Recomm. internal hose diameter compressed air | 6 mm                   |
| Recomm. internal hose diameter vacuum         | 7 mm                   |
| Operating temperature                         | 0 ... 60 °C            |
| Pressure range (operating pressure)           | 43.5...87.0            |
| Suction rate (max.)                           | 7.592 cfm              |
| Air consumption suction                       | 10.982 cfm             |

#### Contact to Schmalz

J. Schmalz GmbH | Johannes-Schmalz-Straße, 72293 Glatten, Deutschland | +49 7443 2403-102 | [customercenter@schmalz.de](mailto:customercenter@schmalz.de)

# Basic ejector

## SBP 25 G03 SDA

Part no.:10.02.01.00604

<https://www.schmalz.com/10.02.01.00604>



| Attribute | Value |
|-----------|-------|
| Weight    | 50 g  |

Note: Air consumption: At optimal operating pressure Hose diameter: For max. length 2 m

### Spare Parts



#### **SD G3/8-AG 20x76 SBP**

Part no.10.02.01.00719

Silencer for vacuum generators

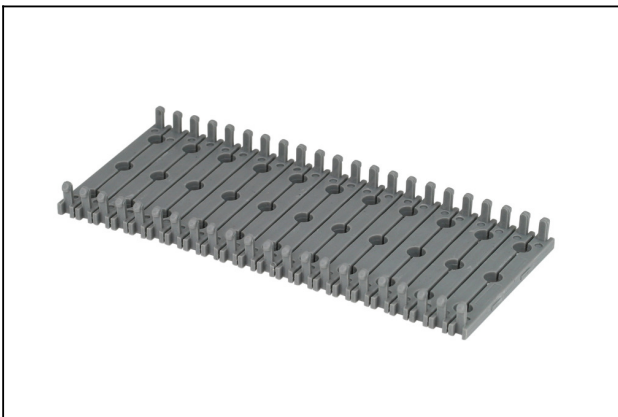
Thread G1: G3/8"-M

External diameter D: 20 mm

Length L: 76 mm

for: Basic ejectors SBP

### Accessories



#### **BEF-PL 110x44.5x3 SBP**

Part no.10.02.01.00511

Mounting plate

Length L: 110 mm

Width B: 44.5 mm

Height H: 3 mm

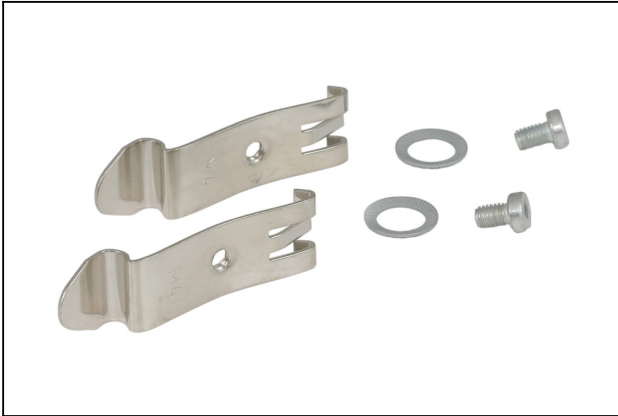
for: Basic ejectors SBP

## Basic ejector

### SBP 25 G03 SDA

Part no.:10.02.01.00604

<https://www.schmalz.com/10.02.01.00604>



#### SET SBP M4-IG

Part no.10.02.01.00769

Mounting set

for: Basic ejectors SBP

Type: M4-IG



#### VFT G3/8-IG 80

Part no.10.07.01.00122

Vacuum cup filter with transparent housing and replaceable filter

Connection: G3/8"-F

Shape: Long filter insert

Nominal flow rate: 14.7 m³/h

Filter pore size: 80 µm



#### VFT G3/8-IG 100

Part no.10.07.01.00123

Vacuum cup filter with transparent housing and replaceable filter

Connection: G3/8"-F

Shape: Long filter insert

Nominal flow rate: 17.4 m³/h

Filter pore size: 100 µm