

Basic ejector

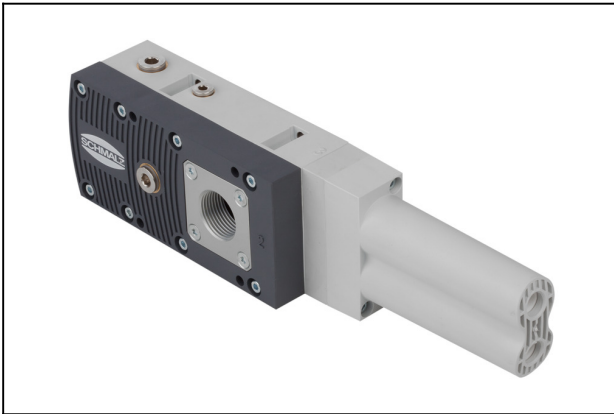
SBPL 50 HV

Part no.:10.02.01.01590

<https://www.schmalz.com/10.02.01.01590>

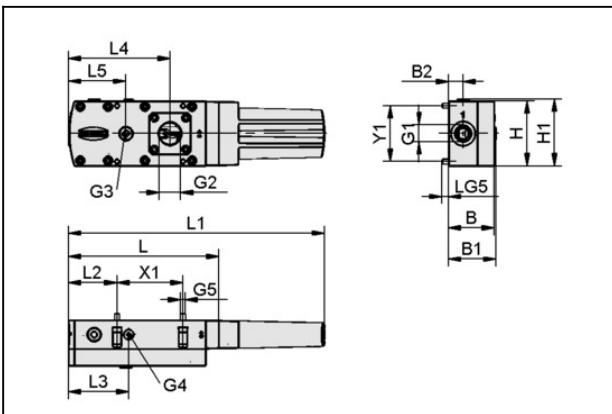
Homepage > Vacuum Technology for Automation > Vacuum Components > Vacuum Generators > Basic Ejectors > Basic Ejectors SBPL > SBPL 50 HV

Basic ejector with maximum suction capacity



Size: 50
 Design: High vacuum
 Suction rate (max): 510 l/min
 Air consumption (during evac.):
 210 l/min
 Weight: 0.75 kg

Design Data



Attribute	Value
B	51 mm
B1	53 mm
B2	16 mm
G1	G3/8"-F
G2	G3/4"-F
G3	G1/4"-F
G4	G1/8"-F
G5	M5-M
H	72 mm
H1	74 mm
L	167.5 mm
L1	285.3 mm
L2	54 mm

Contact to Schmalz

J. Schmalz GmbH | Johannes-Schmalz-Straße, 72293 Glatten, Deutschland | +49 7443 2403-102 | customercenter@schmalz.de

Basic ejector

SBPL 50 HV

Part no.:10.02.01.01590

<https://www.schmalz.com/10.02.01.01590>



Attribute	Value
L3	67 mm
L4	113 mm
L5	64 mm
LG5	8.5 mm
X1	73.5 mm
Y1	62 mm

Technical Data

Attribute	Value
Size	50
Degree of evacuation	90 %
Max. vacuum	900 mbar
Suction rate (real)	510 l/min
Suction rate (theo)	660 l/min
Suction rate (real)	30.6 m ³ /h
Suction rate (theo)	39.6 m ³ /h
Air consumption suction	210 l/min
Air consumption suction	13 m ³ /h
Sound level free	66 dB(A)
Sound level suction	59 dB(A)
Pressure range (operating pressure)	2.0 ... 6.0 bar
Pressure range (operating pressure)	29.0...87.0
Recomm. internal hose diameter compressed air	6 mm
Recomm. internal hose diameter vacuum	25 mm
Weight	0.75 kg

Contact to Schmalz

J. Schmalz GmbH | Johannes-Schmalz-Straße, 72293 Glatten, Deutschland | +49 7443 2403-102 | customercenter@schmalz.de

Basic ejector

SBPL 50 HV

Part no.:10.02.01.01590

<https://www.schmalz.com/10.02.01.01590>

Attribute	Value
Operating temperature	0 ... 60 °C
Max. vacuum	26.577 inHg

Spare Parts



SEP HV 3 16 22

Part no.10.02.01.01397

Multistagenozzle as a cartridge

Design: High vacuum

Number of stages: 3

Nozzle size: 1,6 mm

Hole diameter: 22 mm

Degree of evacuation: 90 %

Pressure range (operating pressure):

2.0 ... 6.0 bar

Pressure optimal: 4 bar

Suction rate (max): 308.8 l/min

Air consumption (during evac.):

103 l/min



ERS-SET SEP-22 6xRUE-KLAP

Part no.10.02.01.01450

Set of spare parts

for: Ejector module

Size: 22

contains: 6x Non-return flap

Accessories

Contact to Schmalz

J. Schmalz GmbH | Johannes-Schmalz-Straße, 72293 Glatten, Deutschland | +49 7443 2403-102 | customercenter@schmalz.de

Basic ejector

SBPL 50 HV

Part no.:10.02.01.01590

<https://www.schmalz.com/10.02.01.01590>



VFT G1/2-IG 80

Part no.10.07.01.00125

Vacuum cup filter with transparent housing and replaceable filter

Connection: G1/2"-F

Shape: Long filter insert

Nominal flow rate: 18 m³/h

Filter pore size: 80 µm



VFT G1/2-IG 100

Part no.10.07.01.00126

Vacuum cup filter with transparent housing and replaceable filter

Connection: G1/2"-F

Shape: Long filter insert

Nominal flow rate: 19.2 m³/h

Filter pore size: 100 µm



VAM 40 V DR

Part no.10.07.02.00035

Vacuum gauge (manometer) for analogue measurement and monitoring of the vacuum

External diameter D: 40 mm

Measuring range: -1.00 ... 0.00 bar

Shape: With sealing ring

Vacuum connection: G1/8"-M

Basic ejector

SBPL 50 HV

Part no.:10.02.01.01590

<https://www.schmalz.com/10.02.01.01590>



VAM-D 30x30 VP10 G1/8-AG

Part no.10.07.02.00055

Vacuum gauge (manometer) for measurement and monitoring of the vacuum

Length L: 30 mm

Width B: 30 mm

Measuring range: -1.0 ... 10.0 bar

Vacuum connection: G1/8"-M



VSi V M12-4

Part no.10.06.02.00570

Vacuum and pressure switch with two digital output signals and IO-Link function

Measuring range: -1...0 bar

Electrical connection:

Male connect M12, 4 pol

Indication: LED

Protection: IP 65



VSi V D M12-4

Part no.10.06.02.00580

Vacuum and pressure switch with two digital output signals and IO-Link function

Measuring range: -1...0 bar

Type: with display

Electrical connection:

Male connect M12, 4 pol

Indication: 2xLED

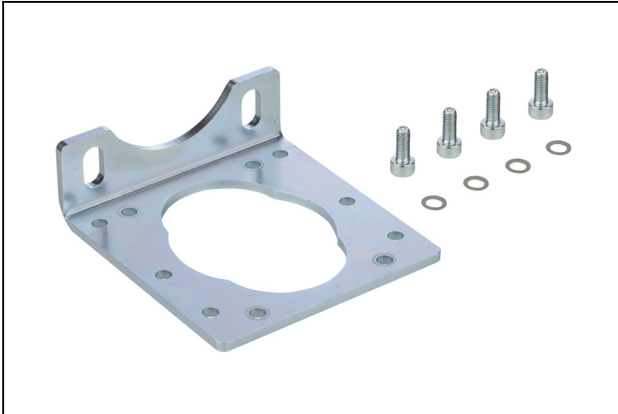
Protection: IP 65

Basic ejector

SBPL 50 HV

Part no.:10.02.01.01590

<https://www.schmalz.com/10.02.01.01590>



BEF-WIN 72x25x77 SBPL

Part no.10.02.01.01705

Mounting bracket (inst.)

Length L: 72 mm

Width B: 25 mm

Height H: 77 mm

for: Basic ejectors



EMV 3 24V-DC 2/2 NC K-2P

Part no.10.05.01.00366

Solenoid valve EMV for direct control of compressed air

Nominal size: 3 mm

Voltage: 24V - DC

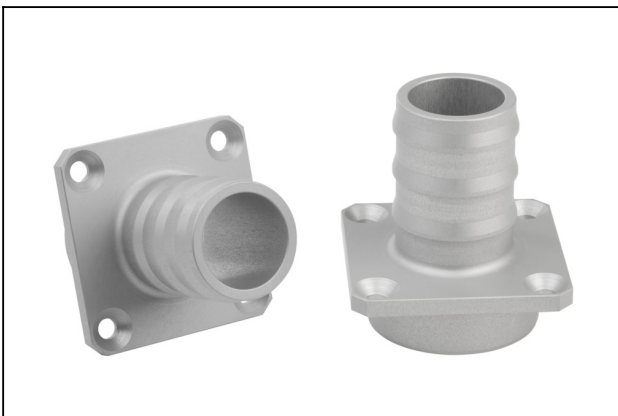
Function: 2/2-way valve

Control: Normally closed

Connecting thread: G1/4"-M

contains: Cable 2

Cable length: 3 m



ST 25 AL-EL

Part no.10.02.01.01680

Hose sleeve

Internal hose diameter: 25 mm

Material: Aluminium

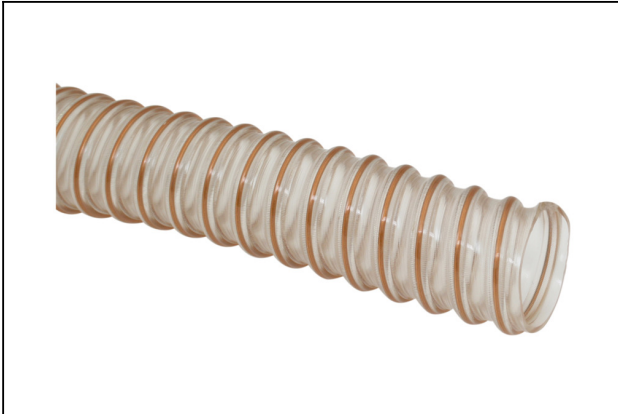
Surface: anodized

Basic ejector

SBPL 50 HV

Part no.:10.02.01.01590

<https://www.schmalz.com/10.02.01.01590>



VSL 33-25 PU-DS-AS

Part no.10.07.09.00051

Hose for vacuum and compressed-air systems

External diameter D: 33 mm

Internal diameter d: 25 mm

Length (max): 20 m

Material: PU, wire spiral, antistat

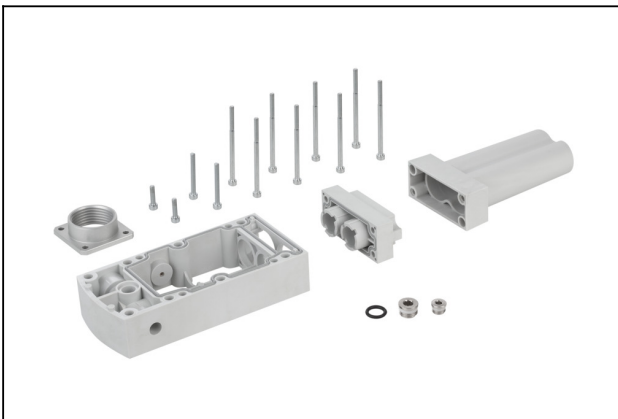
Installation radius (min): 20 mm

Colour: Transparent

Pressure range (operating pressure):

-1.00 ... 3.86 bar

Ambient temperature: -40 ... 90 °C



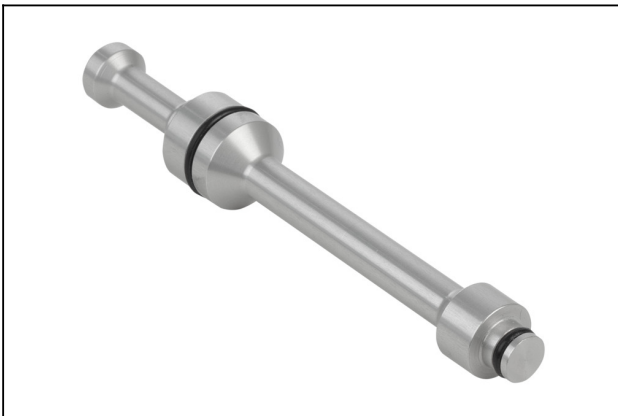
SET SBPL 75/100

Part no.10.02.01.01685

Retrofit kit

for: Basic ejectors

Size: 75/100



VRS-ST 15x101.7 SBPL

Part no.10.02.01.01687

Sealing plug - pre-assembly

External diameter D: 15 mm

Length L: 101.7 mm

for: Basic ejectors

Basic ejector

SBPL 50 HV

Part no.:10.02.01.01590

<https://www.schmalz.com/10.02.01.01590>



SEP HV 3 16 22

Part no.10.02.01.01397

Multistagenozzle as a cartridge

Design: High vacuum

Number of stages: 3

Nozzle size: 1,6 mm

Hole diameter: 22 mm

Degree of evacuation: 90 %

Pressure range (operating pressure):

2.0 ... 6.0 bar

Pressure optimal: 4 bar

Suction rate (max): 308.8 l/min

Air consumption (during evac.):

103 l/min



VFT G3/4-IG 80

Part no.10.07.01.00128

Vacuum cup filter with transparent housing and replaceable filter

Connection: G3/4"-F

Shape: Long filter insert

Nominal flow rate: 36 m³/h

Filter pore size: 80 µm



VFT G3/4-IG 100

Part no.10.07.01.00129

Vacuum cup filter with transparent housing and replaceable filter

Connection: G3/4"-F

Shape: Long filter insert

Nominal flow rate: 46.2 m³/h

Filter pore size: 100 µm