

Basic ejector

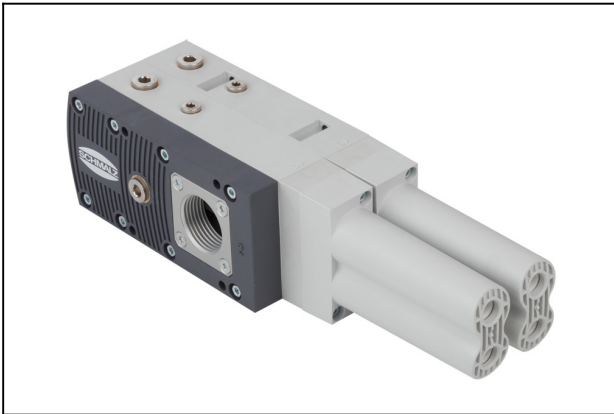
SBPL 100 HV

Part no.:10.02.01.01591

<https://www.schmalz.com/10.02.01.01591>

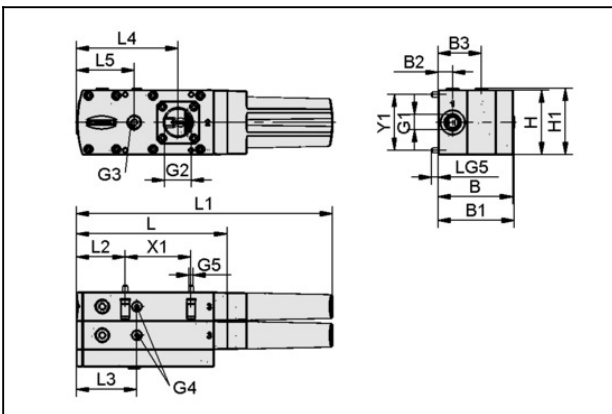
Homepage > Vacuum Technology for Automation > Vacuum Components > Vacuum Generators > Basic Ejectors > Basic Ejectors SBPL > SBPL 100 HV

Basic ejector with maximum suction capacity



Size: 100
 Design: High vacuum
 Suction rate (max): 870 l/min
 Air consumption (during evac.):
 395 l/min
 Weight: 1.1 kg

Design Data



Attribute	Value
B	83 mm
B1	85 mm
B2	16 mm
B3	48 mm
G1	G3/8"-F
G2	G1"-F
G3	G1/4"-F
G4	G1/8"-F
G5	M5-M
H	72 mm
H1	74 mm
L	167.5 mm
L1	285.3 mm

Contact to Schmalz

J. Schmalz GmbH | Johannes-Schmalz-Straße, 72293 Glatten, Deutschland | +49 7443 2403-102 | customercenter@schmalz.de

Basic ejector

SBPL 100 HV

Part no.:10.02.01.01591

<https://www.schmalz.com/10.02.01.01591>



Attribute	Value
L2	54 mm
L3	67 mm
L4	113 mm
L5	64 mm
LG5	8.5 mm
X1	73.5 mm
Y1	62 mm

Technical Data

Attribute	Value
Size	100
Degree of evacuation	90 %
Max. vacuum	900 mbar
Suction rate (real)	870 l/min
Suction rate (theo)	1,320 l/min
Suction rate (real)	52.2 m ³ /h
Suction rate (theo)	79.2 m ³ /h
Air consumption suction	395 l/min
Air consumption suction	24.5 m ³ /h
Sound level free	70 dB(A)
Sound level suction	64 dB(A)
Pressure range (operating pressure)	2.0 ... 6.0 bar
Pressure range (operating pressure)	29.0...87.0
Recomm. internal hose diameter compressed air	9 mm
Recomm. internal hose diameter vacuum	32 mm

Contact to Schmalz

J. Schmalz GmbH | Johannes-Schmalz-Straße, 72293 Glatten, Deutschland | +49 7443 2403-102 | customercenter@schmalz.de

Basic ejector

SBPL 100 HV

Part no.:10.02.01.01591

<https://www.schmalz.com/10.02.01.01591>



Attribute	Value
Weight	1.1 kg
Operating temperature	0 ... 60 °C
Max. vacuum	26.577 inHg

Spare Parts



SEP HV 3 16 22

Part no.10.02.01.01397

Multistagenozzle as a cartridge

Design: High vacuum

Number of stages: 3

Nozzle size: 1,6 mm

Hole diameter: 22 mm

Degree of evacuation: 90 %

Pressure range (operating pressure):

2.0 ... 6.0 bar

Pressure optimal: 4 bar

Suction rate (max): 308.8 l/min

Air consumption (during evac.):

103 l/min



ERS SEP-22 6xRUE-KLAP

Part no.10.02.01.01450

Set of spare parts

for: Ejector module

Size: 22

contains: 6x Non-return flap

Accessories

Contact to Schmalz

J. Schmalz GmbH | Johannes-Schmalz-Straße, 72293 Glatten, Deutschland | +49 7443 2403-102 | customercenter@schmalz.de

Basic ejector

SBPL 100 HV

Part no.:10.02.01.01591

<https://www.schmalz.com/10.02.01.01591>



VAM 40 V DR

Part no.10.07.02.00035

Vacuum gauge (manometer) for analogue measurement and monitoring of the vacuum

External diameter D: 40 mm

Measuring range: -1.00 ... 0.00 bar

Shape: With sealing ring

Vacuum connection: G1/8"-M



VAM-D 30x30 VP10 G1/8-AG

Part no.10.07.02.00055

Vacuum gauge (manometer) for measurement and monitoring of the vacuum

Length L: 30 mm

Width B: 30 mm

Measuring range: -1.0 ... 10.0 bar

Vacuum connection: G1/8"-M



VSi V M12-4

Part no.10.06.02.00570

Vacuum and pressure switch with two digital output signals and IO-Link function

Measuring range: -1...0 bar

Electrical connection:

Male connect M12, 4 pol

Indication: LED

Protection: IP 65

Basic ejector

SBPL 100 HV

Part no.:10.02.01.01591

<https://www.schmalz.com/10.02.01.01591>



VSi V D M12-4

Part no.10.06.02.00580

Vacuum and pressure switch with two digital output signals and IO-Link function

Measuring range: -1...0 bar

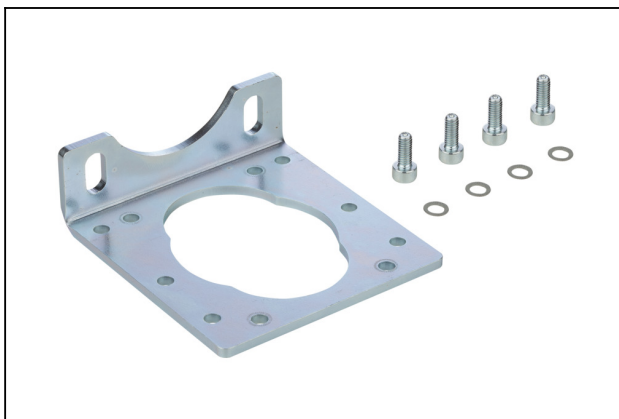
Type: with display

Electrical connection:

Male connect M12, 4 pol

Indication: 2xLED

Protection: IP 65



BEF-WIN 72x25x77 SBPL

Part no.10.02.01.01705

Mounting bracket (inst.)

Length L: 72 mm

Width B: 25 mm

Height H: 77 mm

for: Basic ejectors



EMV 3 24V-DC 2/2 NC K-2P

Part no.10.05.01.00366

Solenoid valve EMV for direct control of compressed air

Nominal size: 3 mm

Voltage: 24V - DC

Function: 2/2-way valve

Control: Normally closed

Connecting thread: G1/4"-M

contains: Cable 2

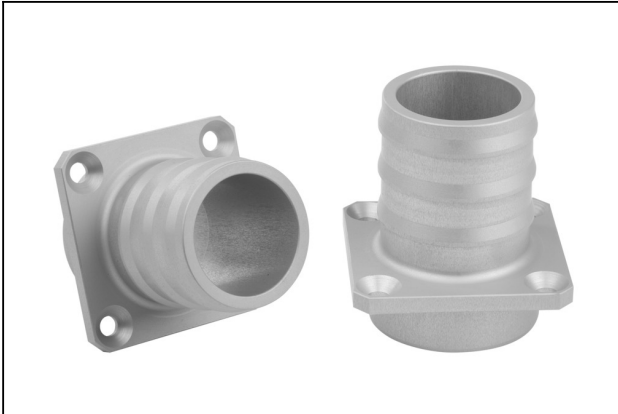
Cable length: 3 m

Basic ejector

SBPL 100 HV

Part no.:10.02.01.01591

<https://www.schmalz.com/10.02.01.01591>



ST 32 AL-EL

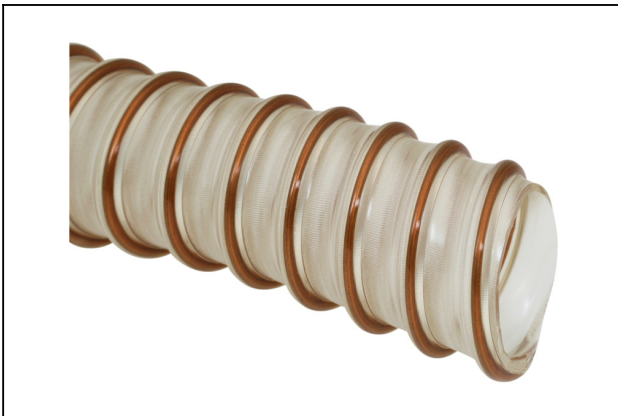
Part no.10.02.01.01681

Hose sleeve

Internal hose diameter: 32 mm

Material: Aluminium

Surface: anodized



VSL 42-32 PU-DS-AS

Part no.10.07.09.00036

Hose for vacuum and compressed-air systems

External diameter D: 42 mm

Internal diameter d: 32 mm

Length (max): 20 m

Material: PU, wire spiral, antistat

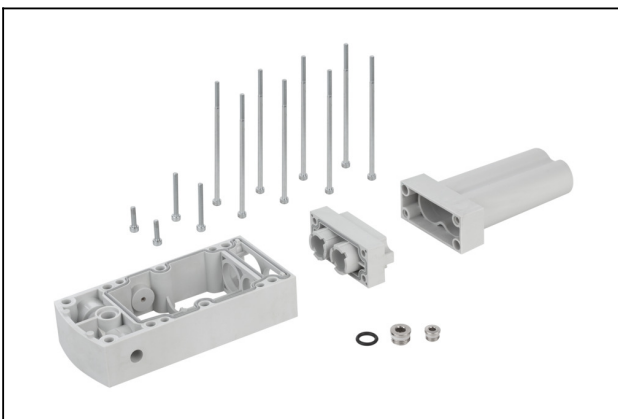
Installation radius (min): 25 mm

Colour: Transparent

Pressure range (operating pressure):

-1.00 ... 3.77 bar

Ambient temperature: -40 ... 90 °C



SET SBPL 125/150

Part no.10.02.01.01686

Retrofit kit

for: Basic ejectors

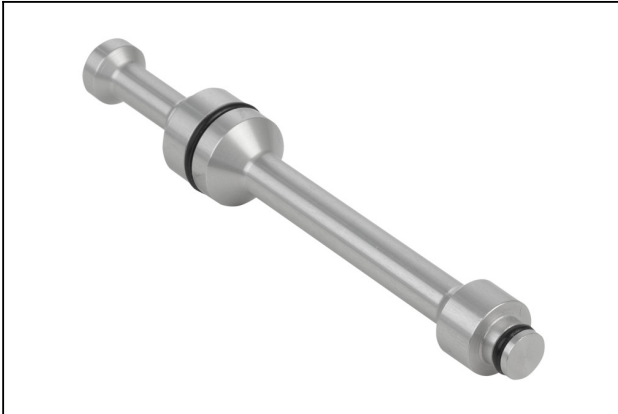
Size: 125/150

Basic ejector

SBPL 100 HV

Part no.:10.02.01.01591

<https://www.schmalz.com/10.02.01.01591>



VRS-ST 15x101.7 SBPL

Part no.10.02.01.01687

Sealing plug - pre-assembly

External diameter D: 15 mm

Length L: 101.7 mm

for: Basic ejectors



ERS SEP-22 6xRUE-KLAP

Part no.10.02.01.01450

Set of spare parts

for: Ejector module

Size: 22

contains: 6x Non-return flap