

Basic ejector

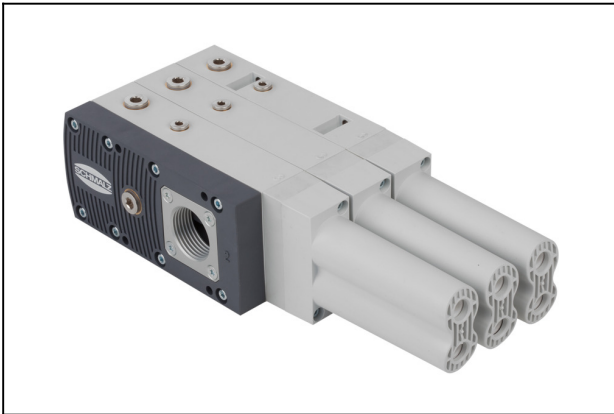
SBPL 150 HV

Part no.:10.02.01.01592

<https://www.schmalz.com/10.02.01.01592>

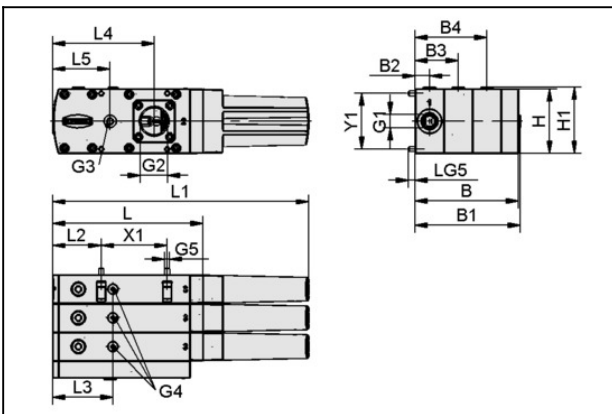
Homepage > Vacuum Technology for Automation > Vacuum Components > Vacuum Generators > Basic Ejectors > Basic Ejectors SBPL > SBPL 150 HV

Basic ejector with maximum suction capacity



Size: 150
 Design: High vacuum
 Suction rate (max): 1140 l/min
 Air consumption (during evac.):
 545 l/min
 Weight: 1.5 kg

Design Data



| Attribute | Value |
|-----------|----------|
| B | 115 mm |
| B1 | 117 mm |
| B2 | 16 mm |
| B3 | 48 mm |
| B4 | 80 mm |
| G1 | G3/8"-F |
| G2 | G1"-F |
| G3 | G1/4"-F |
| G4 | G1/8"-F |
| G5 | M5-M |
| H | 72 mm |
| H1 | 74 mm |
| L | 167.5 mm |

Contact to Schmalz

J. Schmalz GmbH | Johannes-Schmalz-Straße, 72293 Glatten, Deutschland | +49 7443 2403-102 | customercenter@schmalz.de

Basic ejector

SBPL 150 HV

Part no.:10.02.01.01592

<https://www.schmalz.com/10.02.01.01592>



| Attribute | Value |
|-----------|----------|
| L1 | 285.3 mm |
| L2 | 54 mm |
| L3 | 67 mm |
| L4 | 113 mm |
| L5 | 64 mm |
| LG5 | 8.5 mm |
| X1 | 73.5 mm |
| Y1 | 62 mm |

Technical Data

| Attribute | Value |
|---|-------------------------|
| Size | 150 |
| Degree of evacuation | 90 % |
| Max. vacuum | 900 mbar |
| Suction rate (real) | 1,140 l/min |
| Suction rate (theo) | 1,980 l/min |
| Suction rate (real) | 68.4 m ³ /h |
| Suction rate (theo) | 118.8 m ³ /h |
| Air consumption suction | 545 l/min |
| Air consumption suction | 33.5 m ³ /h |
| Sound level free | 73 dB(A) |
| Sound level suction | 66 dB(A) |
| Pressure range (operating pressure) | 2.0 ... 6.0 bar |
| Pressure range (operating pressure) | 29.0...87.0 |
| Recomm. internal hose diameter compressed air | 11 mm |

Contact to Schmalz

J. Schmalz GmbH | Johannes-Schmalz-Straße, 72293 Glatten, Deutschland | +49 7443 2403-102 | customercenter@schmalz.de

Basic ejector

SBPL 150 HV

Part no.:10.02.01.01592

<https://www.schmalz.com/10.02.01.01592>



| Attribute | Value |
|---------------------------------------|-------------|
| Recomm. internal hose diameter vacuum | 32 mm |
| Weight | 1.5 kg |
| Operating temperature | 0 ... 60 °C |
| Max. vacuum | 26.577 inHg |

Spare Parts



SEP HV 3 16 22

Part no.10.02.01.01397

Multistagenozzle as a cartridge

Design: High vacuum

Number of stages: 3

Nozzle size: 1,6 mm

Hole diameter: 22 mm

Degree of evacuation: 90 %

Pressure range (operating pressure):

2.0 ... 6.0 bar

Pressure optimal: 4 bar

Suction rate (max): 308.8 l/min

Air consumption (during evac.):

103 l/min



ERS SEP-22 6xRUE-KLAP

Part no.10.02.01.01450

Set of spare parts

for: Ejector module

Size: 22

contains: 6x Non-return flap

Accessories

Contact to Schmalz

J. Schmalz GmbH | Johannes-Schmalz-Straße, 72293 Glatten, Deutschland | +49 7443 2403-102 | customercenter@schmalz.de

Basic ejector

SBPL 150 HV

Part no.:10.02.01.01592

<https://www.schmalz.com/10.02.01.01592>



VAM 40 V DR

Part no.10.07.02.00035

Vacuum gauge (manometer) for analogue measurement and monitoring of the vacuum

External diameter D: 40 mm

Measuring range: -1.00 ... 0.00 bar

Shape: With sealing ring

Vacuum connection: G1/8"-M



VAM-D 30x30 VP10 G1/8-AG

Part no.10.07.02.00055

Vacuum gauge (manometer) for measurement and monitoring of the vacuum

Length L: 30 mm

Width B: 30 mm

Measuring range: -1.0 ... 10.0 bar

Vacuum connection: G1/8"-M



VSi V M12-4

Part no.10.06.02.00570

Vacuum and pressure switch with two digital output signals and IO-Link function

Measuring range: -1...0 bar

Electrical connection:

Male connect M12, 4 pol

Indication: LED

Protection: IP 65

Basic ejector

SBPL 150 HV

Part no.:10.02.01.01592

<https://www.schmalz.com/10.02.01.01592>



VSi V D M12-4

Part no.10.06.02.00580

Vacuum and pressure switch with two digital output signals and IO-Link function

Measuring range: -1...0 bar

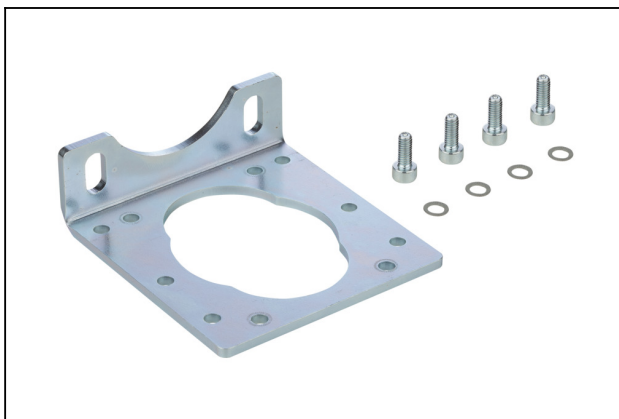
Type: with display

Electrical connection:

Male connect M12, 4 pol

Indication: 2xLED

Protection: IP 65



BEF-WIN 72x25x77 SBPL

Part no.10.02.01.01705

Mouting bracket (inst.)

Length L: 72 mm

Width B: 25 mm

Height H: 77 mm

for: Basic ejectors



EMV 3 24V-DC 2/2 NC K-2P

Part no.10.05.01.00366

Solenoid valve EMV for direct control of compressed air

Nominal size: 3 mm

Voltage: 24V - DC

Function: 2/2-way valve

Control: Normally closed

Connecting thread: G1/4"-M

contains: Cable 2

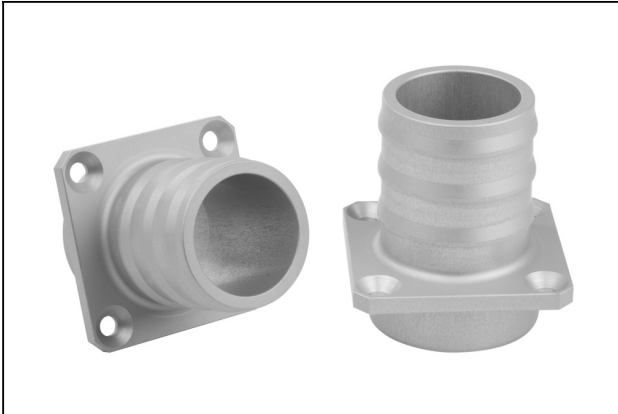
Cable length: 3 m

Basic ejector

SBPL 150 HV

Part no.:10.02.01.01592

<https://www.schmalz.com/10.02.01.01592>



ST 32 AL-EL

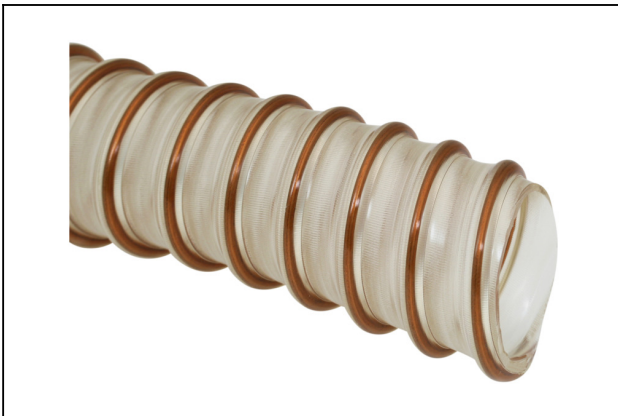
Part no.10.02.01.01681

Hose sleeve

Internal hose diameter: 32 mm

Material: Aluminium

Surface: anodized



VSL 42-32 PU-DS-AS

Part no.10.07.09.00036

Hose for vacuum and compressed-air systems

External diameter D: 42 mm

Internal diameter d: 32 mm

Length (max): 20 m

Material: PU, wire spiral, antistat

Installation radius (min): 25 mm

Colour: Transparent

Pressure range (operating pressure):

-1.00 ... 3.77 bar

Ambient temperature: -40 ... 90 °C



ERS SEP-22 6xRUE-KLAP

Part no.10.02.01.01450

Set of spare parts

for: Ejector module

Size: 22

contains: 6x Non-return flap