

# Compact ejector

## SCPS 07 G02 NC M12-5 PNP

Part no.:10.02.02.04112

<https://www.schmalz.com/10.02.02.04112>

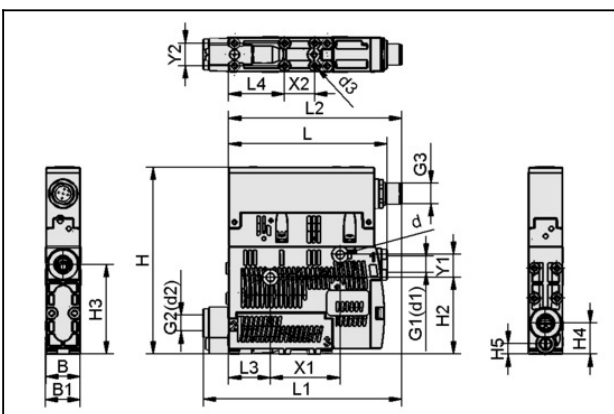
Homepage > Vacuum Technology for Automation > Vacuum Components > Vacuum Generators > Compact ejectors > Compact Ejectors SCPS / SCPSi > SCPS 07 G02 NC M12-5 PNP

## Compact ejector



Nozzle size: 0,7 mm  
 Connection: G1/8"(1)-G1/8"(2)  
 Electrical connection:  
 Male connect M12, 5 pol  
 Suction rate (max): 16 l/min  
 Air consumption (during evac.):  
 22 l/min  
 Noise level (free): 63 dB  
 Pressure range (operating pressure):  
 2.0 ... 6.0 bar  
 Vacuum (max): -850 mbar  
 Control: Normally closed  
 with: digital air-saving function  
 Type: Switches to plus  
 Protection: IP 65 (with plug)

## Design Data



Attribute	Value
B	18 mm
B1	18.6 mm
d	4.4 mm
d3	2.6 mm
G1	G1/8"-F
G2	G1/8"-F
G3	M12x1-M
H	99 mm
H2	40.8 mm

# Compact ejector

## SCPS 07 G02 NC M12-5 PNP

Part no.:10.02.02.04112

<https://www.schmalz.com/10.02.02.04112>



Attribute	Value
H3	47.5 mm
H4	16.5 mm
H5	5.5 mm
L	83.8 mm
L1	105 mm
L2	91.5 mm
L3	22 mm
L4	29.5 mm
X1	36.9 mm
X2	16 mm
Y1	12 mm
Y2	12 mm

---

## Technical Data

Attribute	Value
Nozzle size	07
Degree of evacuation	85 %
Suction rate (max.)	0.98 m <sup>3</sup> /h
Suction rate (max.)	16 l/min
Air consumption suction	1.35 m <sup>3</sup> /h
Air consumption suction	22 l/min
Air consumption blow off	7.25 m <sup>3</sup> /h
Max. air consumption blow off	118 l/min
Sound level free	63 dB(A)
Sound level suction	58 dB(A)

### Contact to Schmalz

J. Schmalz GmbH | Johannes-Schmalz-Straße, 72293 Glatten, Deutschland | +49 7443 2403-102 | [customercenter@schmalz.de](mailto:customercenter@schmalz.de)

# Compact ejector

## SCPS 07 G02 NC M12-5 PNP

Part no.:10.02.02.04112

<https://www.schmalz.com/10.02.02.04112>



Attribute	Value
Pressure range (operating pressure)	2.0 ... 6.0 bar
Recomm. internal hose diameter compressed air	4 mm
Recomm. internal hose diameter vacuum	4 mm
Weight	0.195 kg
Operating temperature	0 ... 50 °C
Pressure range (operating pressure)	29.0...87.0
Suction rate (max.)	0.565 cfm
Air consumption suction	0.776 cfm
Air consumption blow off	4.267 cfm
Max. vacuum	-25.1 inHg
Product family	SCPS

### Spare Parts



#### **SD-EINS 15x16.5 SD**

Part no.10.02.02.04141

Silencer insert

External diameter D: 15 mm

Length L: 16.5 mm

for: Silencers

#### Contact to Schmalz

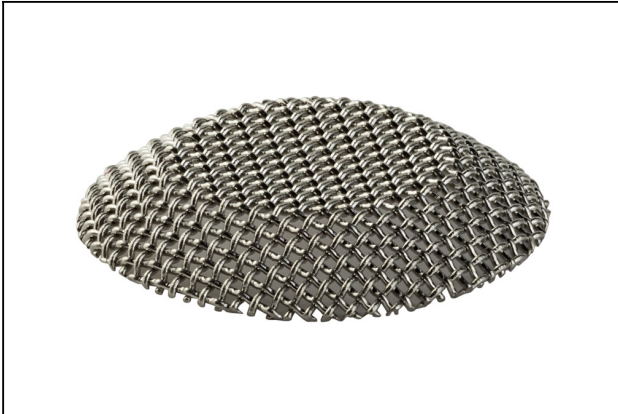
J. Schmalz GmbH | Johannes-Schmalz-Straße, 72293 Glatten, Deutschland | +49 7443 2403-102 | [customercenter@schmalz.de](mailto:customercenter@schmalz.de)

## Compact ejector

SCPS 07 G02 NC M12-5 PNP

Part no.:10.02.02.04112

<https://www.schmalz.com/10.02.02.04112>



### **SIEB 11x2 X-5 0.415/0.22**

Part no.10.02.02.04404

Screen protects the vacuum system from contamination

External diameter D: 11 mm

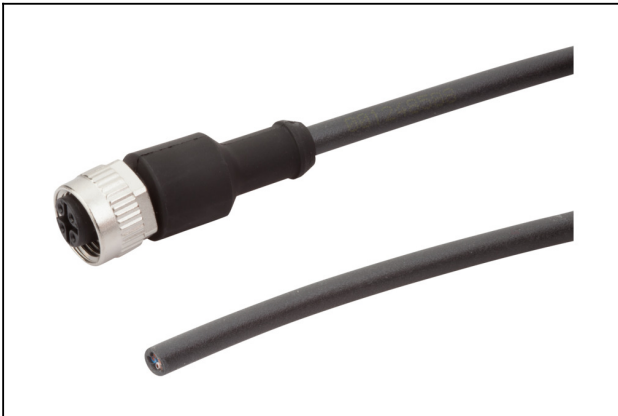
Length L: 2 mm

Material: Stainless steel X5 CrNi

Mesh: 0.415 mm

Wire size: 0.22 mm

## Accessories



### **ASK B-M12-5 5000 K-5P**

Part no.21.04.05.00080

Connection cable

Interface Connection 1:

Fem connect M12, 5 pol

Cable length: 5000 mm

Interface Connection 2: Cable 5

Material: PUR-Cable

Shape: Straight



### **ASV SMPI/SCPI 2xS-M12-4**

Part no.10.02.02.03490

Connection distributor

for: Ejector SMPI/SCPI

Interface Connection cable:

Fem connect M12, 5 pol

Interface Connection cable:

2xConnect M12, 4 pol

Length L: 1050 mm

## Compact ejector

SCPS 07 G02 NC M12-5 PNP

Part no.:10.02.02.04112

<https://www.schmalz.com/10.02.02.04112>



### VFI CN6/4 50

Part no.10.07.01.00241

Vacuum filter with replaceable filter cartridge

Connection: Hose 6/4 with Cap nut

Filter pore size: 50 µm



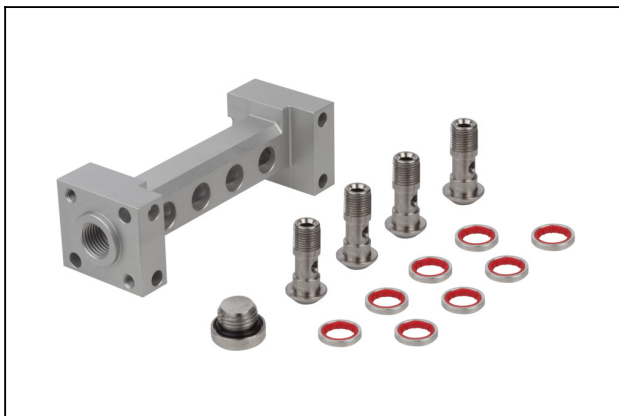
### VFI CN8/6 50

Part no.10.07.01.00245

Vacuum filter with replaceable filter cartridge

Connection: Hose 8/6 with Cap nut

Filter pore size: 50 µm



### GP 4 SCPS 07..15 G2

Part no.10.02.02.04338

Compressed air distributor for use as a manifold and for building ejector blocks

Number of connections: 4

Length L: 108 mm

Width B: 38 mm

Height H: 34 mm

for: Ejector SCPS 07..15 G2

## Compact ejector

SCPS 07 G02 NC M12-5 PNP

Part no.:10.02.02.04112

<https://www.schmalz.com/10.02.02.04112>



### SET SCPS

Part no.10.02.02.04343

Mounting set

for: Compact ejectors SCPS



### ABL-SET SCPS einstufig

Part no.10.02.02.04216

Exhaust air set

for: Compact ejectors SCPS

Size: einstufig



### ASK B-M12-5 1000 S-M12-5

Part no.21.04.05.00158

Connection cable

Interface Connection 1:

Fem connect M12, 5 pol

Cable length: 1000 mm

Interface Connection 2:

Male connect M12, 5 pol

Material: PUR-Cable

## Compact ejector

SCPS 07 G02 NC M12-5 PNP

Part no.:10.02.02.04112

<https://www.schmalz.com/10.02.02.04112>



### ASK B-M12-5 2000 S-M12-5

Part no.21.04.05.00211

Connection cable

Interface Connection 1:

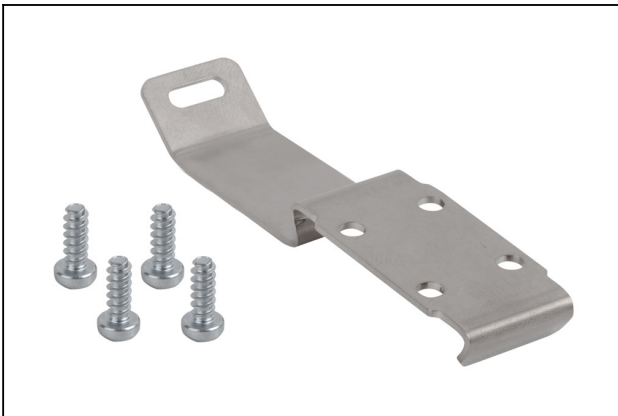
Fem connect M12, 5 pol

Cable length: 2000 mm

Interface Connection 2:

Male connect M12, 5 pol

Material: PUR-Cable



### HUT-SN-KL 70x18x8

Part no.10.02.02.04149

Top-hat rail clamp comp.

Length L: 70 mm

Width B: 18 mm

Height H: 8 mm

Section type: EN 50022



### VFI 4/2 50

Part no.10.07.01.00329

Vacuum filter with replaceable filter cartridge

Connection: Hose 4/2

Filter pore size: 50 µm