

# Compact ejector

## SCPSi 15 G02 NC M12-5

Part no.:10.02.02.04125

<https://www.schmalz.com/10.02.02.04125>

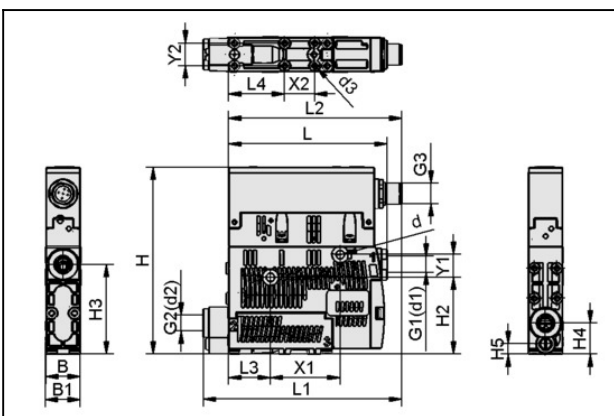
Homepage > Vacuum Technology for Automation > Vacuum Components > Vacuum Generators > Compact ejectors > Compact Ejectors SCPS / SCPSi > SCPSi 15 G02 NC M12-5

## Compact ejector



Nozzle size: 1,5 mm  
 Connection: G1/8"(1)-G1/8"(2)  
 Suction rate (max): 65.5 l/min  
 Air consumption (during evac.):  
 98.5 l/min  
 Noise level (free): 77 dB  
 at operating press.: 2.0 ... 6.0 bar  
 Vacuum (max): -850 mbar  
 Control: Normally closed  
 with: digital air-saving function  
 Electrical connection:  
 Male connect M12, 5 pol  
 Protection: IP 65 (with plug)  
 Connection: M12-5

## Design Data



| Attribute | Value   |
|-----------|---------|
| B         | 18 mm   |
| B1        | 18.6 mm |
| d         | 4.4 mm  |
| d3        | 2.6 mm  |
| G1        | G1/8"-F |
| G2        | G1/8"-F |
| G3        | M12x1-M |
| H         | 99 mm   |
| H2        | 40.8 mm |

# Compact ejector

## SCPSi 15 G02 NC M12-5

Part no.:10.02.02.04125

<https://www.schmalz.com/10.02.02.04125>



| Attribute | Value   |
|-----------|---------|
| H3        | 47.5 mm |
| H4        | 16.5 mm |
| H5        | 5.5 mm  |
| L         | 83.8 mm |
| L1        | 105 mm  |
| L2        | 91.5 mm |
| L3        | 22 mm   |
| L4        | 29.5 mm |
| X1        | 36.9 mm |
| X2        | 16 mm   |
| Y1        | 12 mm   |
| Y2        | 12 mm   |

---

### Technical Data

| Attribute                     | Value                  |
|-------------------------------|------------------------|
| Nozzle size                   | 15                     |
| Degree of evacuation          | 85 %                   |
| Suction rate (max.)           | 4.03 m <sup>3</sup> /h |
| Suction rate (max.)           | 65.5 l/min             |
| Air consumption suction       | 6.03 m <sup>3</sup> /h |
| Air consumption suction       | 98.5 l/min             |
| Air consumption blow off      | 7.25 m <sup>3</sup> /h |
| Max. air consumption blow off | 118 l/min              |
| Sound level free              | 77 dB(A)               |
| Sound level suction           | 65 dB(A)               |

# Compact ejector

## SCPSi 15 G02 NC M12-5

Part no.:10.02.02.04125

<https://www.schmalz.com/10.02.02.04125>



| Attribute                                     | Value           |
|---|-----------------|
| Pressure range (operating pressure)           | 2.0 ... 6.0 bar |
| Recomm. internal hose diameter compressed air | 4 mm            |
| Recomm. internal hose diameter vacuum         | 6 mm            |
| Weight  | 0.195 kg        |
| Operating temperature                         | 0 ... 50 °C     |
| Pressure range (operating pressure)           | 29.0...87.0     |
| Suction rate (max.)                           | 2.313 cfm       |
| Air consumption suction                       | 3.478 cfm       |
| Air consumption blow off                      | 4.267 cfm       |
| Max. vacuum                                   | -25.1 inHg      |
| Product family                                | SCPSi           |

### Spare Parts



#### **SD-EINS 15x16.5 SD**

Part no.10.02.02.04141

Silencer insert

External diameter D: 15 mm

Length L: 16.5 mm

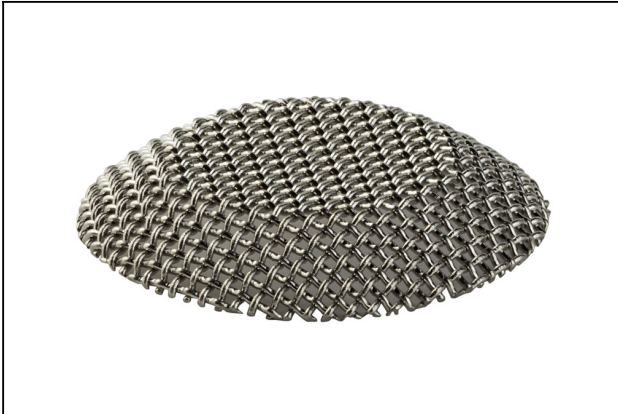
for: Silencers

## Compact ejector

### SCPSi 15 G02 NC M12-5

Part no.:10.02.02.04125

<https://www.schmalz.com/10.02.02.04125>



#### **SIEB 11x2 X-5 0.415/0.22**

Part no.10.02.02.04404

Screen protects the vacuum system from contamination

External diameter D: 11 mm

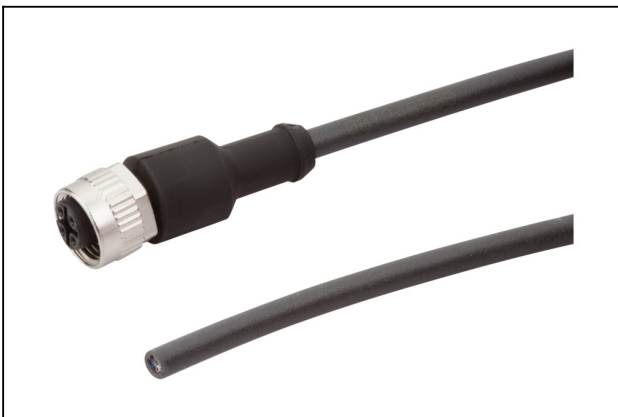
Length L: 2 mm

Material: Stainless steel X5 CrNi

Mesh: 0.415 mm

Wire size: 0.22 mm

## Accessories



#### **ASK B-M12-5 5000 K-5P**

Part no.21.04.05.00080

Connection cable

Interface Connection 1:

Fem connect M12, 5 pol

Cable length: 5000 mm

Interface Connection 2: Cable 5

Material: PUR-Cable

Shape: Straight



#### **ASV SMPI/SCPI 2xS-M12-4**

Part no.10.02.02.03490

Connection distributor

for: Ejector SMPI/SCPI

Interface Connection cable:

Fem connect M12, 5 pol

Interface Connection cable:

2xConnect M12, 4 pol

Length L: 1050 mm

## Compact ejector SCPSi 15 G02 NC M12-5

Part no.:10.02.02.04125

<https://www.schmalz.com/10.02.02.04125>



### VFI CN6/4 50

Part no.10.07.01.00241

Vacuum filter with replaceable filter cartridge

Connection: Hose 6/4 with Cap nut

Filter pore size: 50 µm



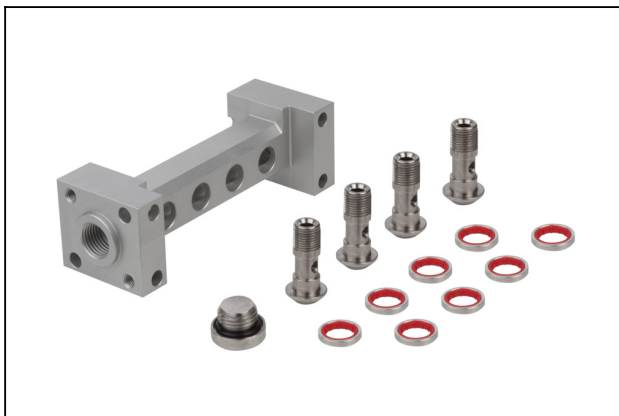
### VFI CN8/6 50

Part no.10.07.01.00245

Vacuum filter with replaceable filter cartridge

Connection: Hose 8/6 with Cap nut

Filter pore size: 50 µm



### GP 4 SCPS 07..15 G2

Part no.10.02.02.04338

Compressed air distributor for use as a manifold and for building ejector blocks

Number of connections: 4

Length L: 108 mm

Width B: 38 mm

Height H: 34 mm

for: Ejector SCPS 07..15 G2

## Compact ejector

### SCPSi 15 G02 NC M12-5

Part no.:10.02.02.04125

<https://www.schmalz.com/10.02.02.04125>



#### **SET SCPS**

Part no.10.02.02.04343

Mounting set

for: Compact ejectors SCPS



#### **ABL-SET SCPS einstufig**

Part no.10.02.02.04216

Exhaust air set

for: Compact ejectors SCPS

Size: einstufig



#### **ASK B-M12-5 1000 S-M12-5**

Part no.21.04.05.00158

Connection cable

Interface Connection 1:

Fem connect M12, 5 pol

Cable length: 1000 mm

Interface Connection 2:

Male connect M12, 5 pol

Material: PUR-Cable

## Compact ejector

### SCPSi 15 G02 NC M12-5

Part no.:10.02.02.04125

<https://www.schmalz.com/10.02.02.04125>



#### ASK B-M12-5 2000 S-M12-5

Part no.21.04.05.00211

Connection cable

Interface Connection 1:

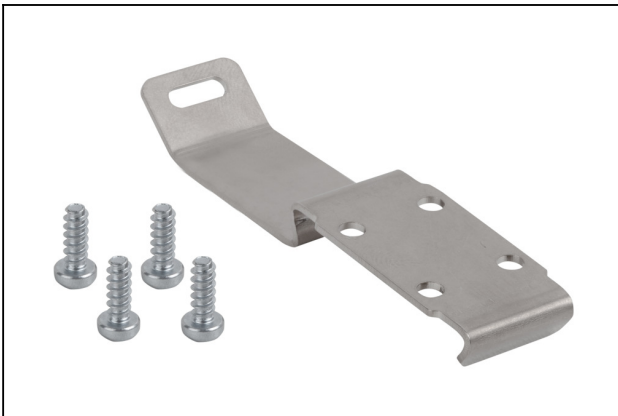
Fem connect M12, 5 pol

Cable length: 2000 mm

Interface Connection 2:

Male connect M12, 5 pol

Material: PUR-Cable



#### HUT-SN-KL 70x18x8

Part no.10.02.02.04149

Top-hat rail clamp comp.

Length L: 70 mm

Width B: 18 mm

Height H: 8 mm

Section type: EN 50022



#### VFI 6/4 50

Part no.10.07.01.00328

Vacuum filter with replaceable filter cartridge

Connection: Hose 6/4

Filter pore size: 50 µm

## Compact ejector

### SCPSi 15 G02 NC M12-5

Part no.:10.02.02.04125

<https://www.schmalz.com/10.02.02.04125>



#### **VFT G1/4-IG 80**

Part no.10.07.01.00119

Vacuum cup filter with transparent housing and replaceable filter

Connection: G1/4"-F

Shape: Short filter insert

Nominal flow rate: 6.6 m<sup>3</sup>/h

Filter pore size: 80 µm