

# Compact ejector

## SCPSb 10 S04 NO

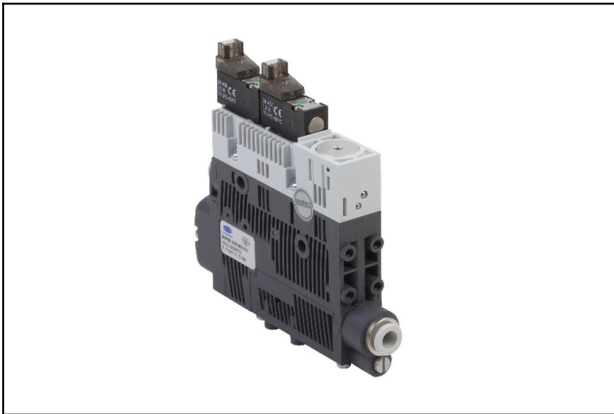
Part no.:10.02.02.04131

<https://www.schmalz.com/10.02.02.04131>



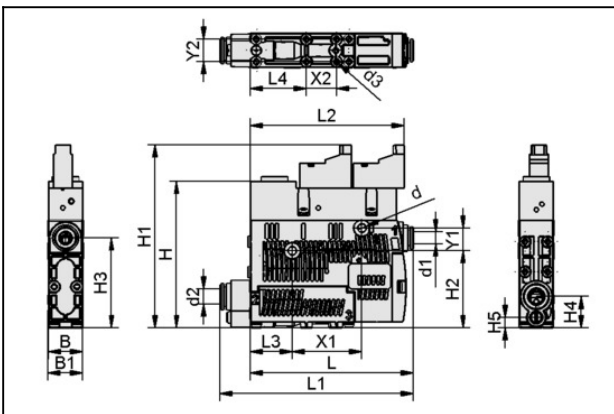
Homepage > Vacuum Technology for Automation > Vacuum Components > Vacuum Generators > Compact ejectors > Compact ejectors SCPSb > SCPSb 10 S04 NO

## Compact ejector



Nozzle size: 1,0 mm  
Connection: Hose D6(1)-D6(2)  
Suction rate (max): 36 l/min  
Air consumption (during evac.):  
46 l/min  
Vacuum (max): -850 mbar  
Control: Normally open

## Design Data



Attribute	Value
-----------	-------

B	18 mm
B1	18.6 mm
d	4.4 mm
d1	6 mm
d2	6 mm
d3	2.6 mm
H	77.5 mm
H1	97 mm
H2	40.8 mm
H3	47.5 mm
H4	16.5 mm
H5	5.5 mm
L	86.2 mm

### Contact to Schmalz

J. Schmalz GmbH | Johannes-Schmalz-Straße, 72293 Glatten, Deutschland | +49 7443 2403-102 | [customercenter@schmalz.de](mailto:customercenter@schmalz.de)

# Compact ejector

## SCPSb 10 S04 NO

Part no.:10.02.02.04131

<https://www.schmalz.com/10.02.02.04131>



Attribute	Value
L1	102.5 mm
L2	81.4 mm
L3	22 mm
L4	29.5 mm
X1	36.9 mm
Y1	12 mm
Y2	12 mm

---

### Technical Data

Attribute	Value
Nozzle diameter	1 mm
Degree of evacuation	85 %
Suction rate (max.)	36 l/min
Suction rate (max.)	2.21 m <sup>3</sup> /h
Pressure range (operating pressure)	2.0 ... 6.0 bar
Weight	0.165 kg

---

### Spare Parts

#### Contact to Schmalz

J. Schmalz GmbH | Johannes-Schmalz-Straße, 72293 Glatten, Deutschland | +49 7443 2403-102 | [customercenter@schmalz.de](mailto:customercenter@schmalz.de)

## Compact ejector

SCPSb 10 S04 NO

Part no.:10.02.02.04131

<https://www.schmalz.com/10.02.02.04131>



### SD-EINS 15x16.5 SD

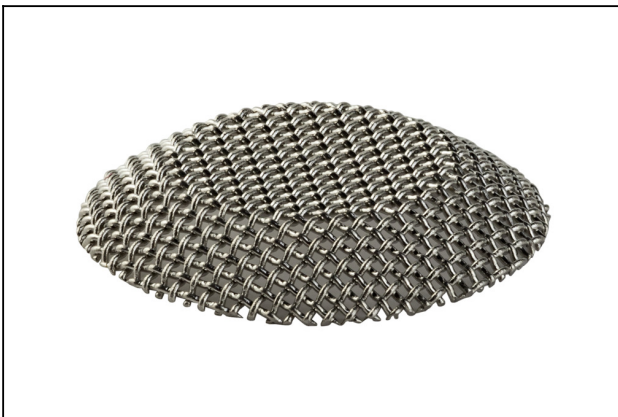
Part no.10.02.02.04141

Silencer insert

External diameter D: 15 mm

Length L: 16.5 mm

for: Silencers



### SIEB 11x2 X-5 0.415/0.22

Part no.10.02.02.04404

Screen protects the vacuum system from contamination

External diameter D: 11 mm

Length L: 2 mm

Material: Stainless steel X5 CrNi

Mesh: 0.415 mm

Wire size: 0.22 mm

## Accessories



### ABL-SET SCPS einstufig

Part no.10.02.02.04216

Exhaust air set

for: Compact ejectors SCPS

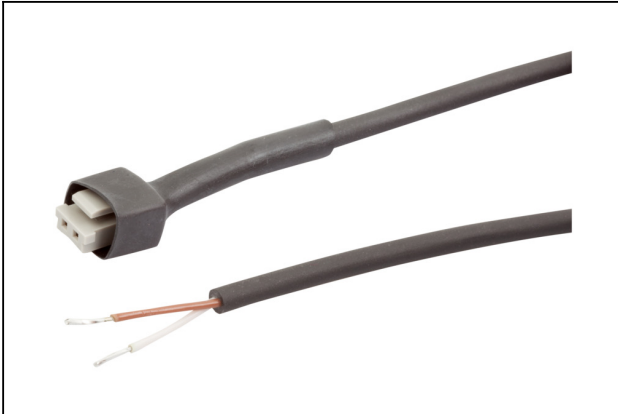
Size: einstufig

## Compact ejector

SCPSb 10 S04 NO

Part no.:10.02.02.04131

<https://www.schmalz.com/10.02.02.04131>



### ASK B-MIC10 3000 K-2P

Part no.21.04.06.00086

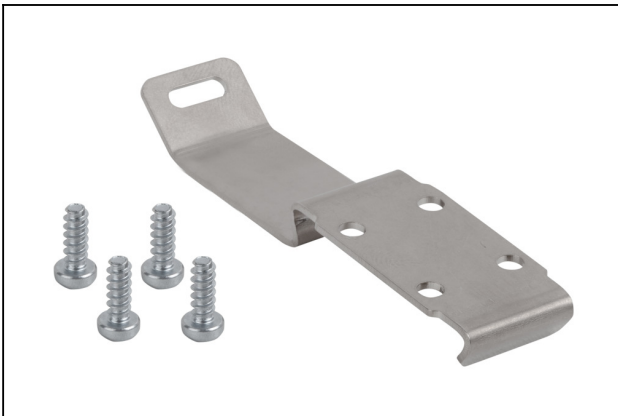
Connection cable

Interface Connection 1: Connect. 10mm

Cable length: 3000 mm

Interface Connection 2: Cable 2

Material: PUR-Cable



### HUT-SN-KL 70x18x8

Part no.10.02.02.04149

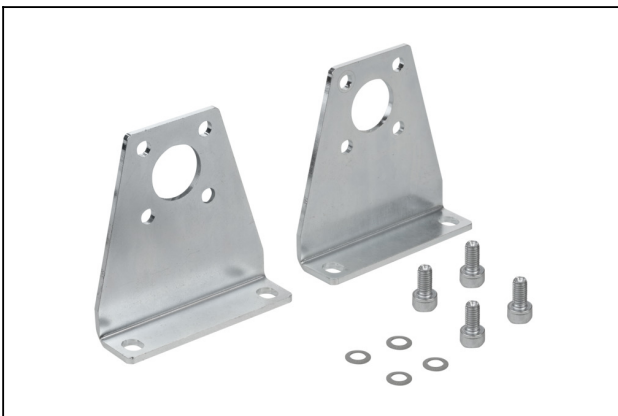
Top-hat rail clamp comp.

Length L: 70 mm

Width B: 18 mm

Height H: 8 mm

Section type: EN 50022



### SET SCPS

Part no.10.02.02.04343

Mounting set

for: Compact ejectors SCPS

## Compact ejector

SCPSb 10 S04 NO

Part no.:10.02.02.04131

<https://www.schmalz.com/10.02.02.04131>



### UMR-SET SCPSb

Part no.10.02.02.04848

Conversion kit

for: Compact ejectors SCPSb



### VFI CN6/4 50

Part no.10.07.01.00241

Vacuum filter with replaceable filter cartridge

Connection: Hose 6/4 with Cap nut

Filter pore size: 50  $\mu$ m



### VFI CN8/6 50

Part no.10.07.01.00245

Vacuum filter with replaceable filter cartridge

Connection: Hose 8/6 with Cap nut

Filter pore size: 50  $\mu$ m

## Compact ejector

SCPSb 10 S04 NO

Part no.:10.02.02.04131

<https://www.schmalz.com/10.02.02.04131>



### VFI 6/4 50

Part no.10.07.01.00328

Vacuum filter with replaceable filter cartridge

Connection: Hose 6/4

Filter pore size: 50 µm



### VFT G1/8-IG 80

Part no.10.07.01.00116

Vacuum cup filter with transparent housing and replaceable filter

Connection: G1/8"-F

Shape: Short filter insert

Nominal flow rate: 2.7 m<sup>3</sup>/h

Filter pore size: 80 µm



### SEG 10 HS

Part no.10.02.01.00247

Basic ejector with robust housing for universal use

Nozzle size: 1,0 mm

Design: For high vacuum

Suction rate (max): 34 l/min

Air consumption (during evac.):

49 l/min