

# Bellows suction cup (round)

FSG 14 SI-55 G1/8-IG

Part no.:10.01.06.00012

<https://www.schmalz.com/10.01.06.00012>

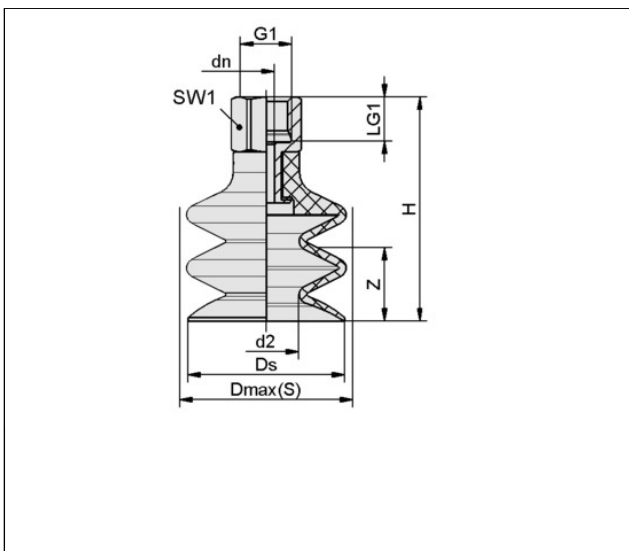
Home > Vacuum Technology for Automation > Vacuum Components > Vacuum Suction Cups > Bellows Suction Cups (Round) > Bellows Suction Cups FSG (2.5 Folds) > FSG 14 SI-55 G1/8-IG

## Bellows suction cup (round) for very uneven workpieces



Size: 14  
 Suction cup material: Silicone SI  
 Material hardness [Shore A]: 55 Shore A  
 Nipple material: Aluminum  
 Connection: G1/8"-F  
 Number of folds: 2.5  
 Vacuum connection: G1/8"-F

## Design Data



Attribute	Value
d2	5.40 mm
dn	3.50 mm
Dmax(S)	15.50 mm
Ds	14.50 mm
G1	G1/8"-F
H	34.80 mm
LG1	8.50 mm
SW1	14 mm
Z (Stroke)	9 mm

## Technical Data

Attribute	Value
-----------	-------

## Bellows suction cup (round)

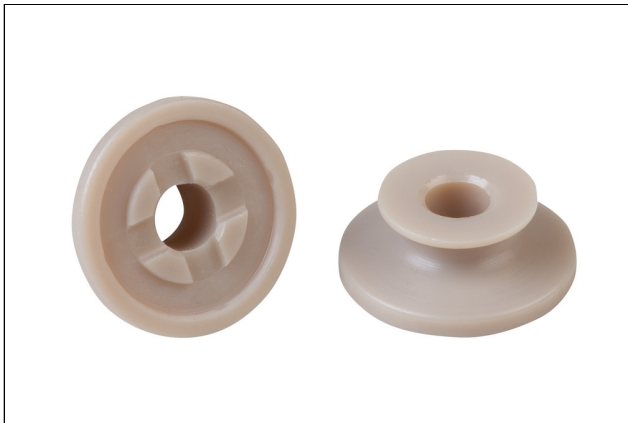
FSG 14 SI-55 G1/8-IG

Part no.:10.01.06.00012

<https://www.schmalz.com/10.01.06.00012>

Suction cup material	Silicone SI
Material hardness [Shore A]	55 Shore A
Size	14
Number of folds	2.50
Connection	G1/8-IG
Curve radius (min) (convex)	15 mm
Volume	0.98 cm <sup>3</sup>
Suction force (-600mbar)	1.37 N
Pull-off force	5.70 N
Hose diameter (empf.) d	4 mm
Weight	5.70 g
Product family	FSG

### Accessories



#### SPI 14 PEEK

Part no.:10.01.06.03282

Size: 14

Material: Polyetheretherketon

### Spare parts

#### Contact Schmalz

J. Schmalz GmbH | Johannes-Schmalz-Str.1, DE-72293 Glatten | +49 7443 2403-105 | [kundencenter@schmalz.de](mailto:kundencenter@schmalz.de)

## Bellows suction cup (round)

FSG 14 SI-55 G1/8-IG

Part no.:10.01.06.00012

<https://www.schmalz.com/10.01.06.00012>



### SA-NIP N016 G1/8-IG DN350

Part no.:10.01.06.05731

Nipple family: N 016

Thread G1: G1/8"-F

Length L1: 18.5 mm

Fitting length: 12 mm

Nominal diameter dn: 3.5 mm

Material: Aluminum



### FG 14 SI-55 N016

Part no.:10.01.06.00057

Size: 14

Suction cup material: Silicone SI

Material hardness [Shore A]: 55 Shore A

Number of folds: 2.5