

## Bellows suction cup (round)

FSG 42 SI-55 G1/4-IG

Part no.:10.01.06.00016

<https://www.schmalz.com/10.01.06.00016>

Home > Vacuum Technology for Automation > Vacuum Components > Vacuum Suction Cups > Bellows Suction Cups (Round) > Bellows Suction Cups FSG (2.5 Folds) > FSG 42 SI-55 G1/4-IG

### Bellows suction cup (round) for very uneven workpieces



Size: 42

Suction cup material: Silicone SI

Material hardness [Shore A]: 55 Shore A

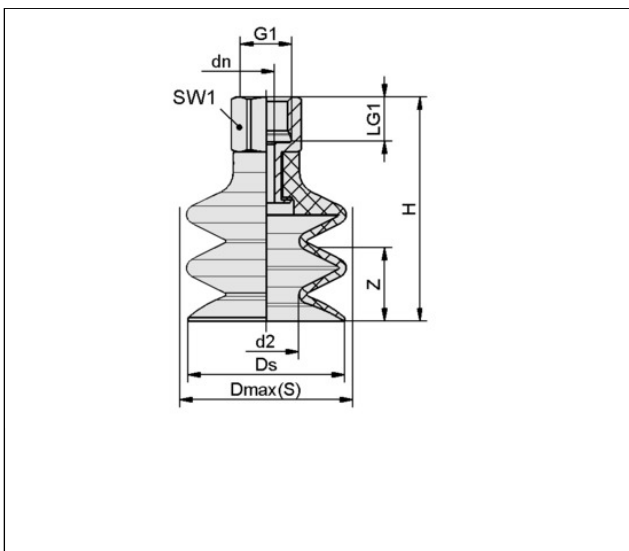
Nipple material: Aluminum

Connection: G1/4"-F

Number of folds: 2.5

Vacuum connection: G1/4"-F

### Design Data



Atributo	Valor
d2	17.80 mm
dn	4.40 mm
Dmax(S)	45 mm
Ds	42.60 mm
G1	G1/4"-F
H	61 mm
LG1	12 mm
SW1	17 mm
Z (Stroke)	20 mm

### Datos técnicos

Atributo	Valor
----------	-------

#### Contact Schmalz

J. Schmalz GmbH | Johannes-Schmalz-Str.1, DE-72293 Glatten | +49 7443 2403-105 | [kundencenter@schmalz.de](mailto:kundencenter@schmalz.de)

## Bellows suction cup (round)

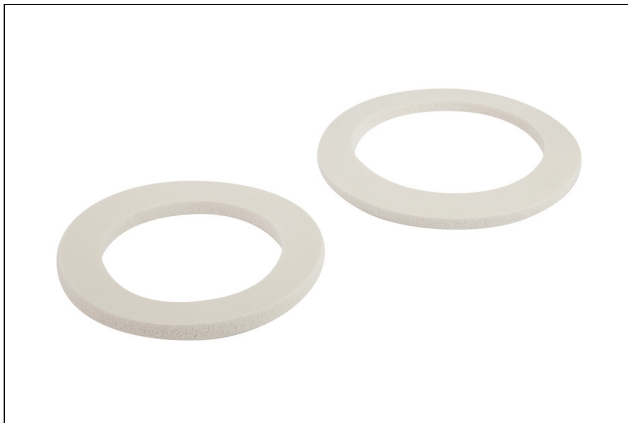
FSG 42 SI-55 G1/4-IG

Part no.:10.01.06.00016

<https://www.schmalz.com/10.01.06.00016>

Suction cup material	Silicone SI
Material hardness [Shore A]	55 Shore A
Size	42
Number of folds	2.50
Connection	G1/4-IG
Curve radius (min) (convex)	75 mm
Volume	19.79 cm <sup>3</sup>
Suction force (-600mbar)	14.93 N
Pull-off force	44 N
Hose diameter (empf.) d	6 mm
Weight	27 g
Product family	FSG

### Accesorios



#### DR 42/20x5 MOS SI-15

Part no.:10.01.06.02616

External diameter D: 42 mm

Internal diameter d: 20 mm

Height H: 5 mm

Material type: Foam rubber

Sealing material: Silicone SI

Material hardness [Shore A]: 15 Shore A

## Bellows suction cup (round)

FSG 42 SI-55 G1/4-IG

Part no.:10.01.06.00016

<https://www.schmalz.com/10.01.06.00016>



### FD 34 120

Part no.:10.01.06.02572

External diameter D: 34 mm

Filter pore size: 120 µm

Construction use: Bellows suction cup

Size: FG 42



### SU 40

N° de artículo.:10.01.01.12856

Size: 40

Clamping range: 35.0 ... 45.0 mm

Temperature resistance: 80 °C

## Piezas de repuesto



### SA-NIP N018 G1/4-IG DN440

N° de artículo.:10.01.06.01066

Nipple family: N 018

Thread G1: G1/4"-F

Length L1: 28.8 mm

Fitting length: 15 mm

Nominal diameter dn: 4.4 mm

Spanner size SW2: 5 mm

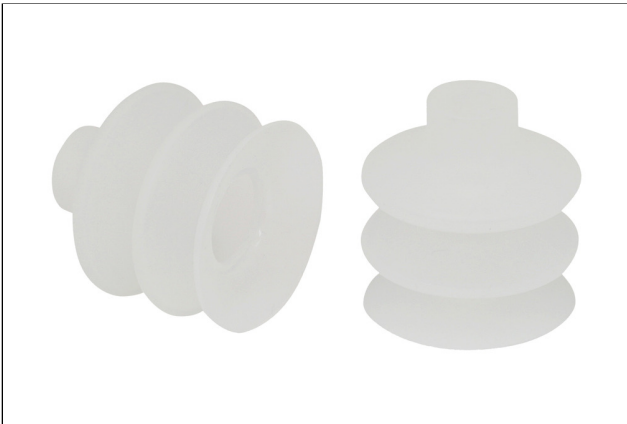
Material: Aluminum

## Bellows suction cup (round)

FSG 42 SI-55 G1/4-IG

Part no.:10.01.06.00016

<https://www.schmalz.com/10.01.06.00016>



### FG 42 SI-55 N018

N° de artículo.:10.01.06.00145

Size: 42

Suction cup material: Silicone SI

Material hardness [Shore A]: 55 Shore A

Number of folds: 2.5