

## Bellows suction cup (round)

FSG 14 NBR-55 M5-AG

Part no...:10.01.06.00025

<https://www.schmalz.com/10.01.06.00025>

Home > Vacuum Technology for Automation > Vacuum Components > Vacuum Suction Cups > Bellows Suction Cups (Round) > Bellows Suction Cups FSG (2.5 Folds) > FSG 14 NBR-55 M5-AG

### Bellows suction cup (round) for very uneven workpieces



Size: 14

Suction cup material: Nitrile rubber NBR

Material hardness [Shore A]: 55 Shore A

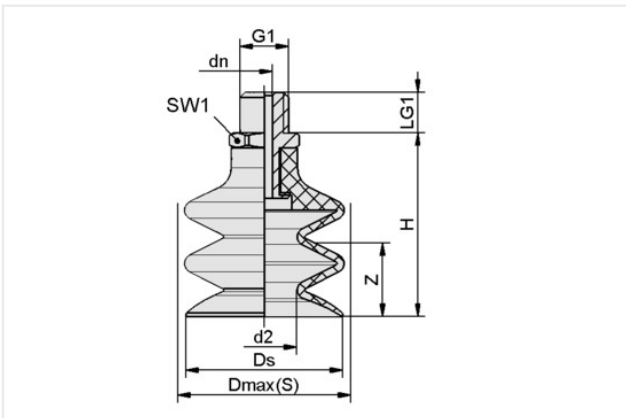
Nipple material: Aluminum

Connection: M5-M

Number of folds: 2.5

Vacuum connection: M5-M

### Design Data



| Attribute  | Value    |
|------------|----------|
| d2         | 5.40 mm  |
| dn         | 2.50 mm  |
| Dmax(S)    | 15.50 mm |
| Ds         | 14.50 mm |
| G1         | M5-M     |
| H          | 27.80 mm |
| LG1        | 5 mm     |
| SW1        | 7 mm     |
| Z (Stroke) | 9 mm     |

### Technical Data

| Attribute                   | Value                |
|-----------------------------|----------------------|
| Suction cup material        | Nitrile rubber NBR   |
| Material hardness [Shore A] | 55 Shore A           |
| Size                        | 14                   |
| Number of folds             | 2.50                 |
| Connection                  | M5-AG                |
| Curve radius (min) (convex) | 15 mm                |
| Volume                      | 0.98 cm <sup>3</sup> |
| Suction force (-600mbar)    | 1.37 N               |

### Contact Schmalz

J. Schmalz GmbH | Johannes-Schmalz-Str.1, DE-72293 Glatten | +49 7443 2403-105 | [kundencenter@schmalz.de](mailto:kundencenter@schmalz.de)

## Bellows suction cup (round)

FSG 14 NBR-55 M5-AG

Part no.:10.01.06.00025

<https://www.schmalz.com/10.01.06.00025>

|                         |        |
|-------------------------|--------|
| Pull-off force          | 5.70 N |
| Hose diameter (empf.) d | 2 mm   |
| Weight                  | 2.60 g |
| Product family          | FSG    |

### Accessories



#### SPI 14 PEEK

Part no.:10.01.06.03282

Size: 14

Material: Polyetheretherketon

### Spare parts



#### SA-NIP N016 M5-AG DN250

Part no.:10.01.06.00123

Nipple family: N 016

Thread G1: M5-M

Length L1: 16 mm

Fitting length: 5 mm

Nominal diameter dn: 2.5 mm

Material: Aluminum

## Bellows suction cup (round)

FSG 14 NBR-55 M5-AG

Part no...:10.01.06.00025

<https://www.schmalz.com/10.01.06.00025>



**FG 14 NBR-55 N016**

Part no...:10.01.06.00052

Size: 14

Suction cup material: Nitrile rubber NBR

Material hardness [Shore A]: 55 Shore A

Number of folds: 2.5