

Bellows suction cup (round)

FSG 62 NBR-55 G1/4-AG

Part no...:10.01.06.00032

<https://www.schmalz.com/10.01.06.00032>

Home > Vacuum Technology for Automation > Vacuum Components > Vacuum Suction Cups > Bellows Suction Cups (Round) > Bellows Suction Cups FSG (2.5 Folds) > FSG 62 NBR-55 G1/4-AG

Bellows suction cup (round) for very uneven workpieces



Size: 62

Suction cup material: Nitrile rubber NBR

Material hardness [Shore A]: 55 Shore A

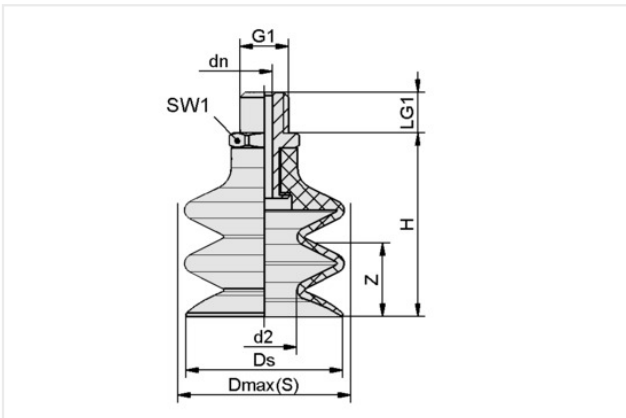
Nipple material: Aluminum

Connection: G1/4"-M

Number of folds: 2.5

Vacuum connection: G1/4"-M

Design Data



| Attribute | Value |
|------------|----------|
| d2 | 29.50 mm |
| dn | 4.40 mm |
| Dmax(S) | 65 mm |
| Ds | 62.20 mm |
| G1 | G1/4"-M |
| H | 58 mm |
| LG1 | 11 mm |
| SW1 | 17 mm |
| Z (Stroke) | 29 mm |

Technical Data

| Attribute | Value |
|-----------------------------|-----------------------|
| Suction cup material | Nitrile rubber NBR |
| Material hardness [Shore A] | 55 Shore A |
| Size | 62 |
| Number of folds | 2.50 |
| Connection | G1/4-AG |
| Curve radius (min) (convex) | 75 mm |
| Volume | 72.50 cm ³ |
| Suction force (-600mbar) | 41.01 N |

Contact Schmalz

J. Schmalz GmbH | Johannes-Schmalz-Str.1, D-72293 Glatten | +49 7443 2403-102 | customercenter@schmalz.de

Bellows suction cup (round)

FSG 62 NBR-55 G1/4-AG

Part no...:10.01.06.00032

<https://www.schmalz.com/10.01.06.00032>

| | |
|-------------------------|-------|
| Pull-off force | 137 N |
| Hose diameter (empf.) d | 6 mm |
| Weight | 60 g |
| Product family | FSG |

Accessories



DR 62/42x5 MOS SI-15

Part no...:10.01.06.02617

External diameter D: 62 mm

Internal diameter d: 42 mm

Height H: 5 mm

Material type: Foam rubber

Sealing material: Silicone SI

Material hardness [Shore A]: 15 Shore A



SU 70

Part no...:10.01.01.12838

Size: 70

Clamping range: 65.0 ... 80.0 mm

Temperature resistance: 80 °C

Spare parts

Contact Schmalz

J. Schmalz GmbH | Johannes-Schmalz-Str.1, D-72293 Glatten | +49 7443 2403-102 | customercenter@schmalz.de

Bellows suction cup (round)

FSG 62 NBR-55 G1/4-AG

Part no...:10.01.06.00032

<https://www.schmalz.com/10.01.06.00032>



SA-NIP N018 G1/4-AG DN440

Part no...:10.01.06.01065

Nipple family: N 018

Thread G1: G1/4"-M

Length L1: 28.8 mm

Fitting length: 4 mm

Nominal diameter dn: 4.4 mm

Spanner size SW2: 5 mm

Material: Aluminum



FG 62 NBR-55 N018

Part no...:10.01.06.00142

Size: 62

Suction cup material: Nitrile rubber NBR

Material hardness [Shore A]: 55 Shore A

Number of folds: 2.5