

# Bellows suction cup (round)

FSG 7 SI-55 M5-AG

Part no.:10.01.06.00035

<https://www.schmalz.com/10.01.06.00035>

Home > Vacuum Technology for Automation > Vacuum Components > Vacuum Suction Cups > Bellows Suction Cups (Round) > Bellows Suction Cups FSG (2.5 Folds) > FSG 7 SI-55 M5-AG

## Bellows suction cup (round) for very uneven workpieces



Size: 7

Suction cup material: Silicone SI

Material hardness [Shore A]: 55 Shore A

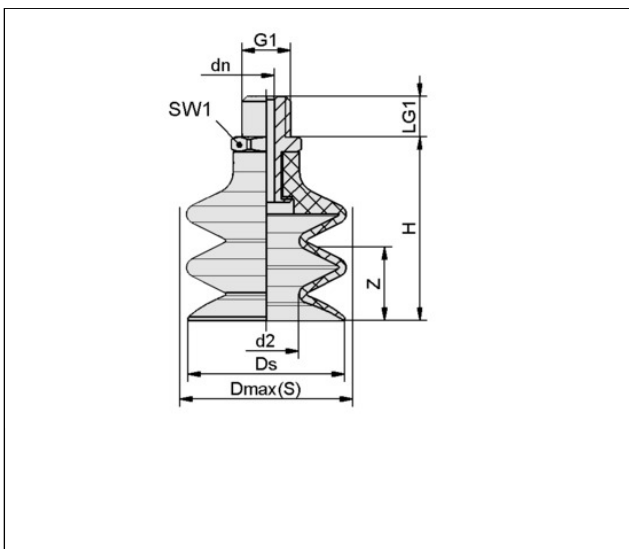
Nipple material: Aluminum

Connection: M5-M

Number of folds: 2.5

Vacuum connection: M5-M

## Design Data



Attribute	Value
d2	1.80 mm
dn	2.50 mm
Dmax(S)	9 mm
Ds	5.90 mm
G1	M5-M
H	19 mm
LG1	5 mm
SW1	7 mm
Z (Stroke)	3 mm

## Technical Data

Attribute	Value
-----------	-------

### Contact Schmalz

J. Schmalz GmbH | Johannes-Schmalz-Str.1, D-72293 Glatten | +49 7443 2403-102 | [customercenter@schmalz.de](mailto:customercenter@schmalz.de)

## Bellows suction cup (round)

FSG 7 SI-55 M5-AG

Part no.:10.01.06.00035

<https://www.schmalz.com/10.01.06.00035>

Suction cup material	Silicone SI
Material hardness [Shore A]	55 Shore A
Size	7
Number of folds	2.50
Connection	M5-AG
Curve radius (min) (convex)	7.50 mm
Volume	0.04 cm <sup>3</sup>
Suction force (-600mbar)	0.15 N
Pull-off force	0.90 N
Hose diameter (empf.) d	2 mm
Weight	1.60 g
Product family	FSG

### Spare parts



#### SA-NIP N016 M5-AG DN250

Part no.:10.01.06.00123

Nipple family: N 016

Thread G1: M5-M

Length L1: 16 mm

Fitting length: 5 mm

Nominal diameter dn: 2.5 mm

Material: Aluminum

## Bellows suction cup (round)

FSG 7 SI-55 M5-AG

Part no.:10.01.06.00035

<https://www.schmalz.com/10.01.06.00035>



### **FG 7 SI-55 N016**

Part no.:10.01.06.00055

Size: 7

Suction cup material: Silicone SI

Material hardness [Shore A]: 55 Shore A

Number of folds: 2.5