

Bellows suction cup (round)

FSG 14 SI-55 G1/8-AG

Part no.:10.01.06.00038

<https://www.schmalz.com/10.01.06.00038>

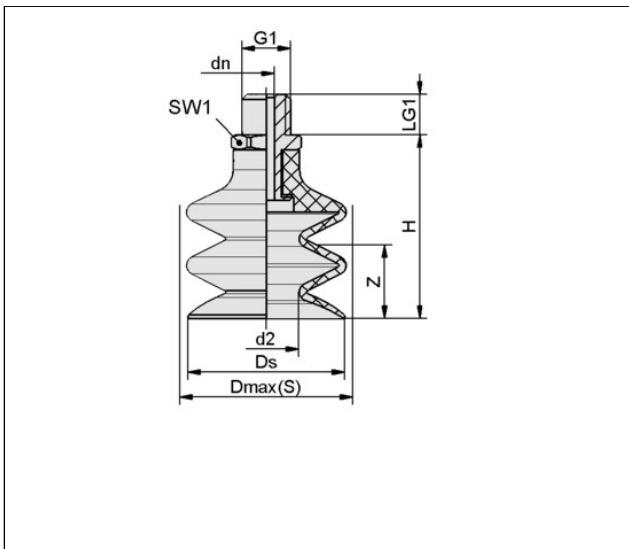
Home > Vacuum Technology for Automation > Vacuum Components > Vacuum Suction Cups > Bellows Suction Cups (Round) > Bellows Suction Cups FSG (2.5 Folds) > FSG 14 SI-55 G1/8-AG

Bellows suction cup (round) for very uneven workpieces



Size: 14
 Suction cup material: Silicone SI
 Material hardness [Shore A]: 55 Shore A
 Nipple material: Aluminum
 Connection: G1/8"-M
 Number of folds: 2.5
 Vacuum connection: G1/8"-M

Design Data



Attribute	Value
d2	5.40 mm
dn	3.50 mm
Dmax(S)	15.50 mm
Ds	14.50 mm
G1	G1/8"-M
H	28.80 mm
LG1	7.50 mm
SW1	14 mm
Z (Stroke)	9 mm

Technical Data

Attribute	Value
-----------	-------

Bellows suction cup (round)

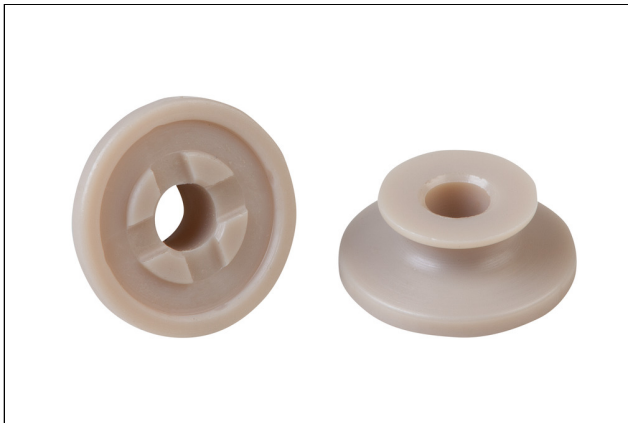
FSG 14 SI-55 G1/8-AG

Part no.:10.01.06.00038

<https://www.schmalz.com/10.01.06.00038>

Suction cup material	Silicone SI
Material hardness [Shore A]	55 Shore A
Size	14
Number of folds	2.50
Connection	G1/8-AG
Curve radius (min) (convex)	15 mm
Volume	0.98 cm ³
Suction force (-600mbar)	1.37 N
Pull-off force	5.70 N
Hose diameter (empf.) d	4 mm
Weight	5.30 g
Product family	FSG

Accessories



SPI 14 PEEK

Part no.:10.01.06.03282

Size: 14

Material: Polyetheretherketon

Spare parts

Contact Schmalz

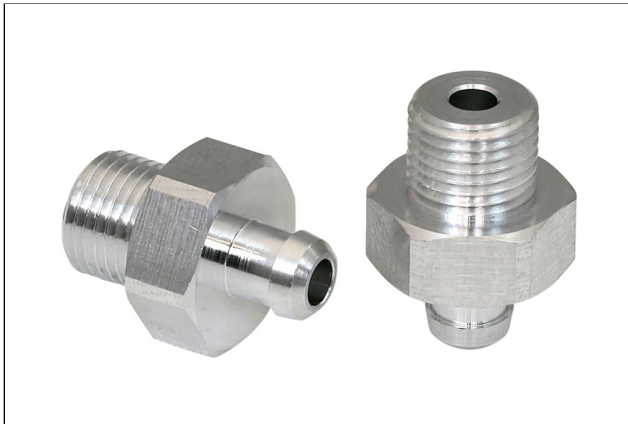
J. Schmalz GmbH | Johannes-Schmalz-Str.1, D-72293 Glatten | +49 7443 2403-102 | customercenter@schmalz.de

Bellows suction cup (round)

FSG 14 SI-55 G1/8-AG

Part no.:10.01.06.00038

<https://www.schmalz.com/10.01.06.00038>



SA-NIP N016 G1/8-AG DN350

Part no.:10.01.06.05735

Nipple family: N 016

Thread G1: G1/8"-M

Length L1: 20 mm

Fitting length: 6 mm

Nominal diameter dn: 3.5 mm

Material: Aluminum



FG 14 SI-55 N016

Part no.:10.01.06.00057

Size: 14

Suction cup material: Silicone SI

Material hardness [Shore A]: 55 Shore A

Number of folds: 2.5