

Bellows suction cup (round)

FSG 25 NBR-55 G1/8-IG

Part no.:10.01.06.00333

<https://www.schmalz.com/10.01.06.00333>

Home > Vacuum Technology for Automation > Vacuum Components > Vacuum Suction Cups > Bellows Suction Cups (Round) > Bellows Suction Cups FSG (2.5 Folds) > FSG 25 NBR-55 G1/8-IG

Bellows suction cup (round) for very uneven workpieces



Size: 25

Suction cup material: Nitrile rubber NBR

Material hardness [Shore A]: 55 Shore A

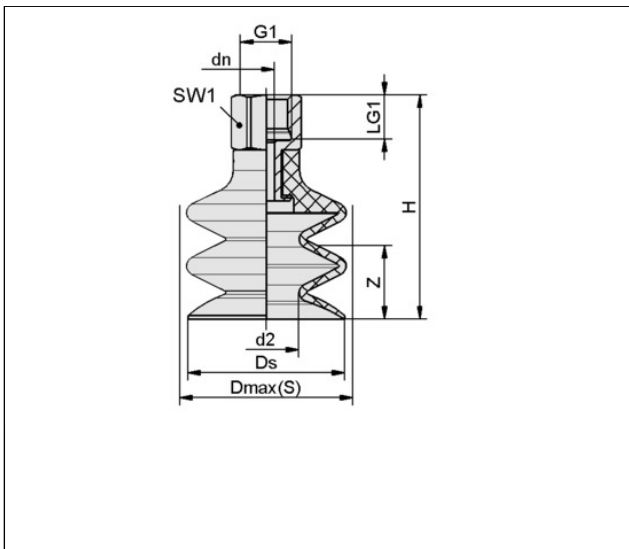
Nipple material: Aluminum

Connection: G1/8"-F

Number of folds: 2.5

Vacuum connection: G1/8"-F

Design Data



Attribute	Value
d2	10 mm
dn	3.50 mm
Dmax(S)	26 mm
Ds	23 mm
G1	G1/8"-F
H	46 mm
LG1	8 mm
SW1	14 mm
Z (Stroke)	18 mm

Technical Data

Attribute	Value
-----------	-------

Contact Schmalz

J. Schmalz GmbH | Johannes-Schmalz-Str.1, D-72293 Glatten | +49 7443 2403-102 | customercenter@schmalz.de

Bellows suction cup (round)

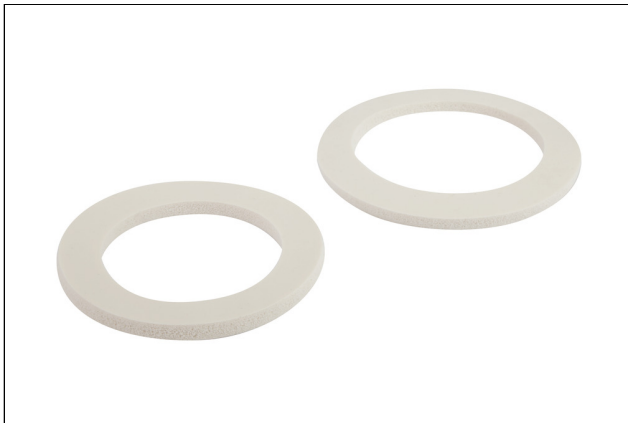
FSG 25 NBR-55 G1/8-IG

Part no...:10.01.06.00333

<https://www.schmalz.com/10.01.06.00333>

Suction cup material	Nitrile rubber NBR
Material hardness [Shore A]	55 Shore A
Size	25
Number of folds	2.50
Connection	G1/8-IG
Curve radius (min) (convex)	30 mm
Volume	5.40 cm ³
Suction force (-600mbar)	4.71 N
Pull-off force	19 N
Hose diameter (empf.) d	4 mm
Weight	9 g
Product family	FSG

Accessories



DR 22.5/13x2 MOS SI-15

Part no...:10.01.06.02614

External diameter D: 22.5 mm

Internal diameter d: 13 mm

Height H: 2 mm

Material type: Foam rubber

Sealing material: Silicone SI

Material hardness [Shore A]: 15 Shore A

Bellows suction cup (round)

FSG 25 NBR-55 G1/8-IG

Part no...:10.01.06.00333

<https://www.schmalz.com/10.01.06.00333>



FD 18 120

Part no...:10.01.06.02567

External diameter D: 18 mm

Filter pore size: 120 µm

Construction use: Bellows suction cup

Size: FG25/FGA25



SPI 25 PEEK

Part no...:10.01.06.03286

Size: 25

Material: Polyetheretherketon

Spare parts



SA-NIP N016 G1/8-IG DN350

Part no...:10.01.06.05731

Nipple family: N 016

Thread G1: G1/8"-F

Length L1: 18.5 mm

Fitting length: 12 mm

Nominal diameter dn: 3.5 mm

Material: Aluminum

Bellows suction cup (round)

FSG 25 NBR-55 G1/8-IG

Part no.:10.01.06.00333

<https://www.schmalz.com/10.01.06.00333>



FG 25 NBR-55 N016

Part no.:10.01.06.00335

Size: 25

Suction cup material: Nitrile rubber NBR

Material hardness [Shore A]: 55 Shore A

Number of folds: 2.5