

Bellows suction cup (round)

FSG 25 SI-55 G1/8-AG

Part no.:10.01.06.00337

<https://www.schmalz.com/10.01.06.00337>

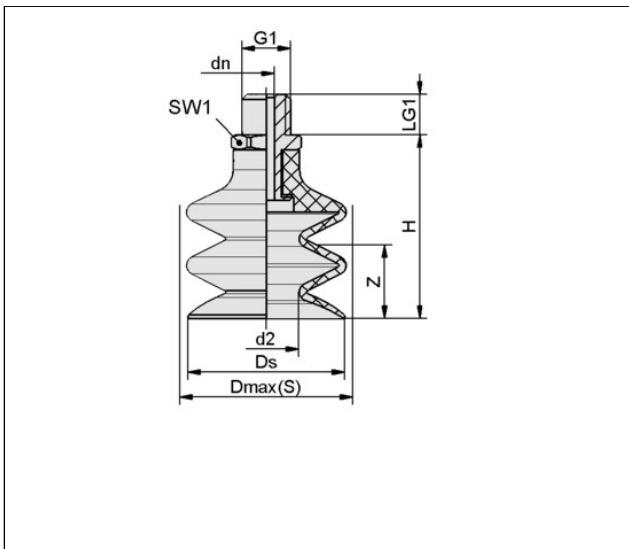
Home > Vacuum Technology for Automation > Vacuum Components > Vacuum Suction Cups > Bellows Suction Cups (Round) > Bellows Suction Cups FSG (2.5 Folds) > FSG 25 SI-55 G1/8-AG

Bellows suction cup (round) for very uneven workpieces



Size: 25
 Suction cup material: Silicone SI
 Material hardness [Shore A]: 55 Shore A
 Nipple material: Aluminum
 Connection: G1/8"-M
 Number of folds: 2.5
 Vacuum connection: G1/8"-M

Design Data



| Attribute | Value |
|------------|---------|
| d2 | 10 mm |
| dn | 3.50 mm |
| Dmax(S) | 26 mm |
| Ds | 23 mm |
| G1 | G1/8"-M |
| H | 40 mm |
| LG1 | 7.50 mm |
| SW1 | 14 mm |
| Z (Stroke) | 18 mm |

Technical Data

| Attribute | Value |
|-----------|-------|
|-----------|-------|

Contact Schmalz

J. Schmalz GmbH | Johannes-Schmalz-Str.1, D-72293 Glatten | +49 7443 2403-102 | customercenter@schmalz.de

Bellows suction cup (round)

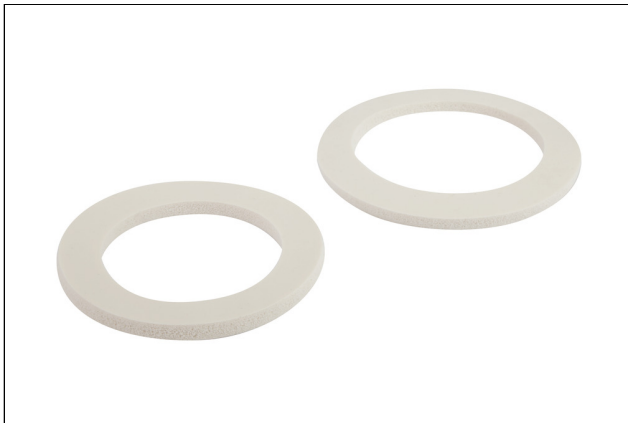
FSG 25 SI-55 G1/8-AG

Part no.:10.01.06.00337

<https://www.schmalz.com/10.01.06.00337>

| | |
|-----------------------------|----------------------|
| Suction cup material | Silicone SI |
| Material hardness [Shore A] | 55 Shore A |
| Size | 25 |
| Number of folds | 2.50 |
| Connection | G1/8-AG |
| Curve radius (min) (convex) | 30 mm |
| Volume | 5.22 cm ³ |
| Suction force (-600mbar) | 4.71 N |
| Pull-off force | 19 N |
| Hose diameter (empf.) d | 4 mm |
| Weight | 8 g |
| Product family | FSG |

Accessories



DR 22.5/13x2 MOS SI-15

Part no.:10.01.06.02614

External diameter D: 22.5 mm

Internal diameter d: 13 mm

Height H: 2 mm

Material type: Foam rubber

Sealing material: Silicone SI

Material hardness [Shore A]: 15 Shore A

Bellows suction cup (round)

FSG 25 SI-55 G1/8-AG

Part no.:10.01.06.00337

<https://www.schmalz.com/10.01.06.00337>



FD 18 120

Part no.:10.01.06.02567

External diameter D: 18 mm

Filter pore size: 120 µm

Construction use: Bellows suction cup

Size: FG25/FGA25



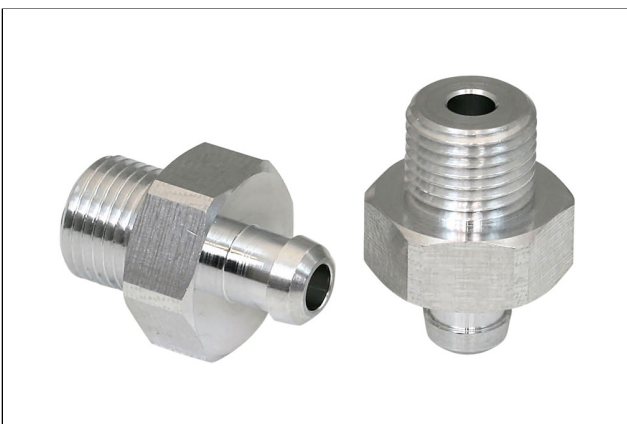
SPI 25 PEEK

Part no.:10.01.06.03286

Size: 25

Material: Polyetheretherketon

Spare parts



SA-NIP N016 G1/8-AG DN350

Part no.:10.01.06.05735

Nipple family: N 016

Thread G1: G1/8"-M

Length L1: 20 mm

Fitting length: 6 mm

Nominal diameter dn: 3.5 mm

Material: Aluminum

Bellows suction cup (round)

FSG 25 SI-55 G1/8-AG

Part no.:10.01.06.00337

<https://www.schmalz.com/10.01.06.00337>



FG 25 SI-55 N016

Part no.:10.01.06.00338

Size: 25

Suction cup material: Silicone SI

Material hardness [Shore A]: 55 Shore A

Number of folds: 2.5