

Bellows suction cup (round)

FSG 12 SI-55 G1/8-AG

Part no.:10.01.06.00563

<https://www.schmalz.com/10.01.06.00563>

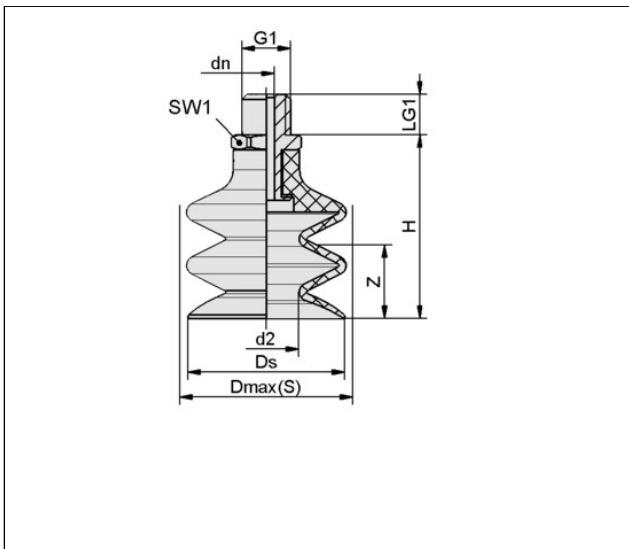
Home > Vacuum Technology for Automation > Vacuum Components > Vacuum Suction Cups > Bellows Suction Cups (Round) > Bellows Suction Cups FSG (2.5 Folds) > FSG 12 SI-55 G1/8-AG

Bellows suction cup (round) for very uneven workpieces



Size: 12
 Suction cup material: Silicone SI
 Material hardness [Shore A]: 55 Shore A
 Nipple material: Aluminum
 Connection: G1/8"-M
 Number of folds: 2.5
 Vacuum connection: G1/8"-M

Design Data



Attribute	Value
d2	5 mm
dn	3.50 mm
Dmax(S)	13 mm
Ds	12 mm
G1	G1/8"-M
H	27 mm
LG1	7.50 mm
SW1	14 mm
Z (Stroke)	7 mm

Technical Data

Attribute	Value
-----------	-------

Contact Schmalz

J. Schmalz GmbH | Johannes-Schmalz-Str.1, D-72293 Glatten | +49 7443 2403-102 | customercenter@schmalz.de

Bellows suction cup (round)

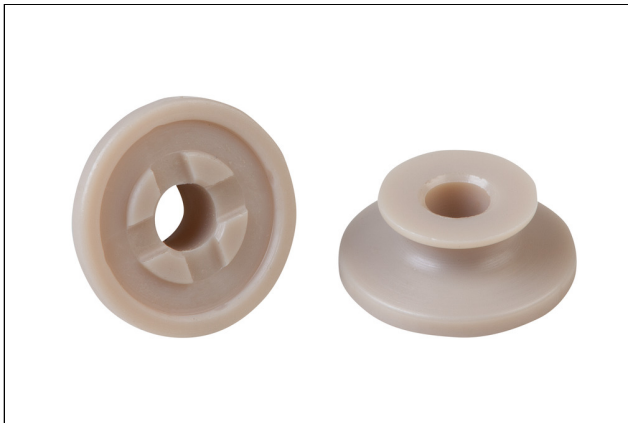
FSG 12 SI-55 G1/8-AG

Part no.:10.01.06.00563

<https://www.schmalz.com/10.01.06.00563>

Suction cup material	Silicone SI
Material hardness [Shore A]	55 Shore A
Size	12
Number of folds	2.50
Connection	G1/8-AG
Curve radius (min) (convex)	12.50 mm
Volume	0.60 cm ³
Suction force (-600mbar)	1.18 N
Pull-off force	3.50 N
Hose diameter (empf.) d	4 mm
Weight	4.90 g
Product family	FSG

Accessories



SPI 14 PEEK

Part no.:10.01.06.03282

Size: 14

Material: Polyetheretherketon

Spare parts

Contact Schmalz

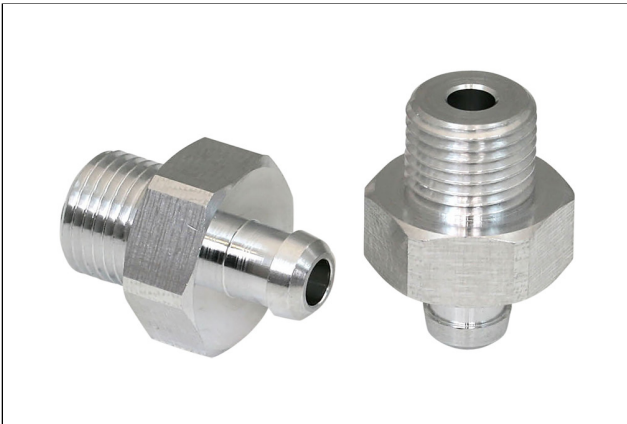
J. Schmalz GmbH | Johannes-Schmalz-Str.1, D-72293 Glatten | +49 7443 2403-102 | customercenter@schmalz.de

Bellows suction cup (round)

FSG 12 SI-55 G1/8-AG

Part no.:10.01.06.00563

<https://www.schmalz.com/10.01.06.00563>



SA-NIP N016 G1/8-AG DN350

Part no.:10.01.06.05735

Nipple family: N 016

Thread G1: G1/8"-M

Length L1: 20 mm

Fitting length: 6 mm

Nominal diameter dn: 3.5 mm

Material: Aluminum



FG 12 SI-55 N016

Part no.:10.01.06.00549

Size: 12

Suction cup material: Silicone SI

Material hardness [Shore A]: 55 Shore A

Number of folds: 2.5