

# Bellows suction cup (round)

FSG 12 NBR-55 M5-AG

Part no.:10.01.06.00565

<https://www.schmalz.com/10.01.06.00565>

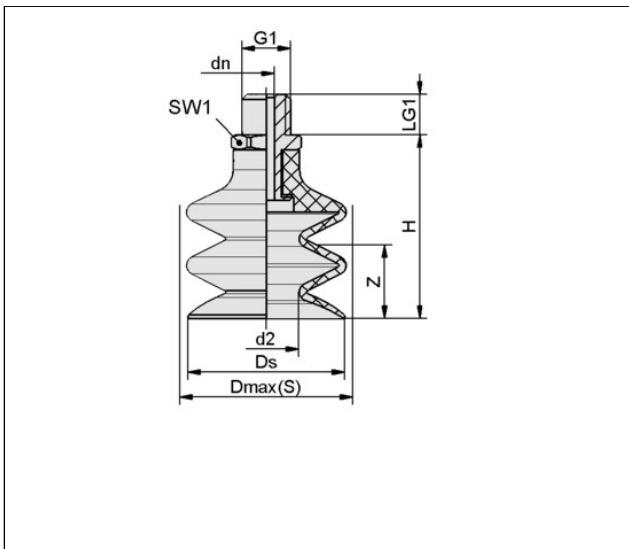
Home > Vacuum Technology for Automation > Vacuum Components > Vacuum Suction Cups > Bellows Suction Cups (Round) > Bellows Suction Cups FSG (2.5 Folds) > FSG 12 NBR-55 M5-AG

## Bellows suction cup (round) for very uneven workpieces



Size: 12  
 Suction cup material: Nitrile rubber NBR  
 Material hardness [Shore A]: 55 Shore A  
 Nipple material: Aluminum  
 Connection: M5-M  
 Number of folds: 2.5  
 Vacuum connection: M5-M

## Design Data



Attribute	Value
d2	5 mm
dn	2.50 mm
Dmax(S)	13 mm
Ds	12 mm
G1	M5-M
H	26 mm
LG1	5 mm
SW1	7 mm
Z (Stroke)	7 mm

## Technical Data

Attribute	Value
-----------	-------

## Bellows suction cup (round)

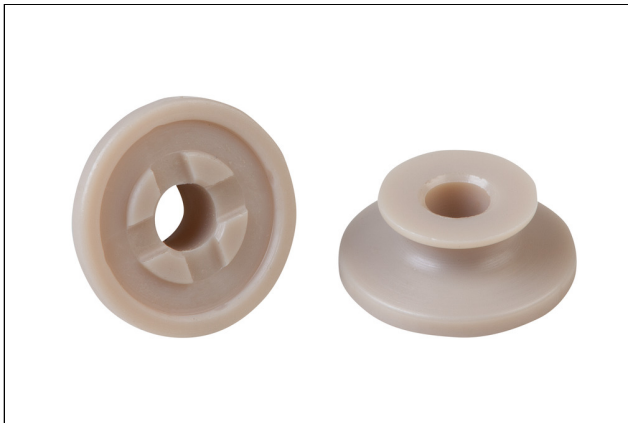
FSG 12 NBR-55 M5-AG

Part no.:10.01.06.00565

<https://www.schmalz.com/10.01.06.00565>

Suction cup material	Nitrile rubber NBR
Material hardness [Shore A]	55 Shore A
Size	12
Number of folds	2.50
Connection	M5-AG
Curve radius (min) (convex)	12.50 mm
Volume	0.60 cm <sup>3</sup>
Suction force (-600mbar)	1.18 N
Pull-off force	3.50 N
Hose diameter (empf.) d	2 mm
Weight	2.20 g
Product family	FSG

### Accessories



#### SPI 14 PEEK

Part no.:10.01.06.03282

Size: 14

Material: Polyetheretherketon

### Spare parts

#### Contact Schmalz

J. Schmalz GmbH | Johannes-Schmalz-Str.1, D-72293 Glatten | +49 7443 2403-102 | [customercenter@schmalz.de](mailto:customercenter@schmalz.de)

## Bellows suction cup (round)

FSG 12 NBR-55 M5-AG

Part no.:10.01.06.00565

<https://www.schmalz.com/10.01.06.00565>



### SA-NIP N016 M5-AG DN250

Part no.:10.01.06.00123

Nipple family: N 016

Thread G1: M5-M

Length L1: 16 mm

Fitting length: 5 mm

Nominal diameter dn: 2.5 mm

Material: Aluminum



### FG 12 NBR-55 N016

Part no.:10.01.06.00557

Size: 12

Suction cup material: Nitrile rubber NBR

Material hardness [Shore A]: 55 Shore A

Number of folds: 2.5