

# Bellows suction cup (round)

FSG 52 SI-55 G1/4-IG

Part no.:10.01.06.00587

<https://www.schmalz.com/10.01.06.00587>

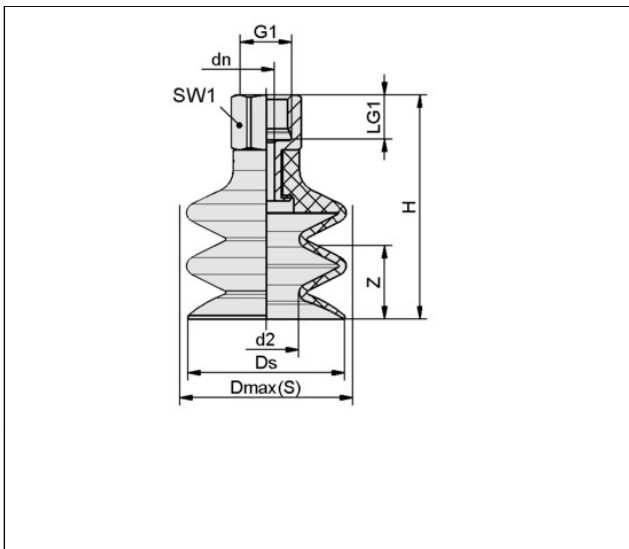
Home > Vacuum Technology for Automation > Vacuum Components > Vacuum Suction Cups > Bellows Suction Cups (Round) > Bellows Suction Cups FSG (2.5 Folds) > FSG 52 SI-55 G1/4-IG

## Bellows suction cup (round) for very uneven workpieces



Size: 52  
 Suction cup material: Silicone SI  
 Material hardness [Shore A]: 55 Shore A  
 Nipple material: Aluminum  
 Connection: G1/4"-F  
 Number of folds: 2.5  
 Vacuum connection: G1/4"-F

## Design Data



Attribute	Value
d2	24.60 mm
dn	4.40 mm
Dmax(S)	55 mm
Ds	52.50 mm
G1	G1/4"-F
H	63.70 mm
LG1	12 mm
SW1	17 mm
Z (Stroke)	25 mm

## Technical Data

Attribute	Value
-----------	-------

## Bellows suction cup (round)

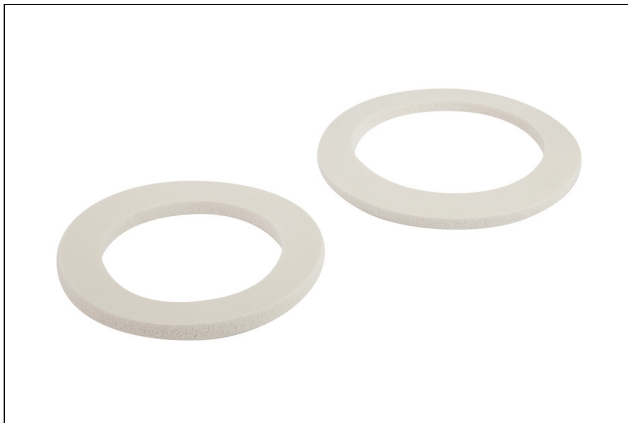
FSG 52 SI-55 G1/4-IG

Part no.:10.01.06.00587

<https://www.schmalz.com/10.01.06.00587>

Suction cup material	Silicone SI
Material hardness [Shore A]	55 Shore A
Size	52
Number of folds	2.50
Connection	G1/4-IG
Curve radius (min) (convex)	75 mm
Volume	35 cm <sup>3</sup>
Suction force (-600mbar)	28.52 N
Pull-off force	96 N
Hose diameter (empf.) d	6 mm
Weight	32 g
Product family	FSG

### Accessories



#### **DR 52/33x5 MOS SI-15**

Part no.:10.01.06.02548

External diameter D: 52 mm

Internal diameter d: 33 mm

Height H: 5 mm

Material type: Foam rubber

Sealing material: Silicone SI

Material hardness [Shore A]: 15 Shore A

## Bellows suction cup (round)

FSG 52 SI-55 G1/4-IG

Part no.:10.01.06.00587

<https://www.schmalz.com/10.01.06.00587>



### FD 44 120

Part no.:10.01.06.02573

External diameter D: 44 mm

Filter pore size: 120 µm

Construction use: Bellows suction cup

Size: FG 52



### SU 50

Part no.:10.01.01.12837

Size: 50

Clamping range: 45.0 ... 60.0 mm

Temperature resistance: 80 °C

## Spare parts



### SA-NIP N018 G1/4-IG DN440

Part no.:10.01.06.01066

Nipple family: N 018

Thread G1: G1/4"-F

Length L1: 28.8 mm

Fitting length: 15 mm

Nominal diameter dn: 4.4 mm

Spanner size SW2: 5 mm

Material: Aluminum

## Bellows suction cup (round)

FSG 52 SI-55 G1/4-IG

Part no.:10.01.06.00587

<https://www.schmalz.com/10.01.06.00587>



### FG 52 SI-55 N018

Part no.:10.01.06.00585

Size: 52

Suction cup material: Silicone SI

Material hardness [Shore A]: 55 Shore A

Number of folds: 2.5