

Bellows suction cup (round)

FSG 5 SI-55 M5-IG

Part no.:10.01.06.00664

<https://www.schmalz.com/10.01.06.00664>

Home > Vacuum Technology for Automation > Vacuum Components > Vacuum Suction Cups > Bellows Suction Cups (Round) > Bellows Suction Cups FSG (2.5 Folds) > FSG 5 SI-55 M5-IG

Bellows suction cup (round) for very uneven workpieces



Size: 5

Suction cup material: Silicone SI

Material hardness [Shore A]: 55 Shore A

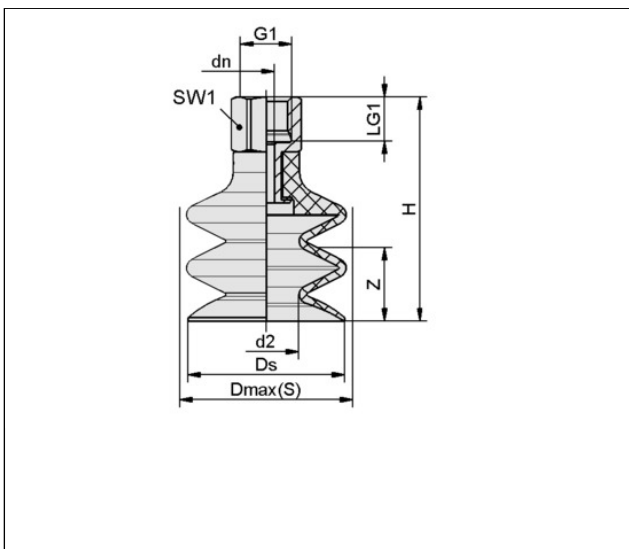
Nipple material: Aluminum

Connection: M5-F

Number of folds: 2.5

Vacuum connection: M5-F

Design Data



Attribute	Value
d2	2.60 mm
dn	2 mm
Dmax(S)	7 mm
Ds	5 mm
G1	M5-F
H	24 mm
LG1	5.50 mm
SW1	8 mm
Z (Stroke)	2 mm

Technical Data

Attribute	Value
-----------	-------

Contact Schmalz

J. Schmalz GmbH | Johannes-Schmalz-Str.1, D-72293 Glatten | +49 7443 2403-102 | customercenter@schmalz.de

Bellows suction cup (round)

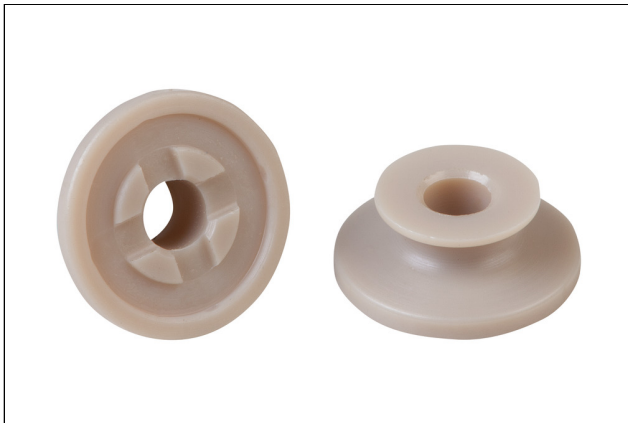
FSG 5 SI-55 M5-IG

Part no...:10.01.06.00664

<https://www.schmalz.com/10.01.06.00664>

Suction cup material	Silicone SI
Material hardness [Shore A]	55 Shore A
Size	5
Number of folds	2.50
Connection	M5-IG
Curve radius (min) (convex)	7.50 mm
Volume	0.03 cm ³
Suction force (-600mbar)	0.32 N
Pull-off force	0.80 N
Hose diameter (empf.) d	2 mm
Weight	1.70 g
Product family	FSG

Accessories



SPI 6 PEEK

Part no...:10.01.06.03279

Size: 6

Material: Polyetheretherketon

Spare parts

Bellows suction cup (round)

FSG 5 SI-55 M5-IG

Part no.:10.01.06.00664

<https://www.schmalz.com/10.01.06.00664>



SA-NIP N017 M5-IG DN200

Part no.:10.01.06.00313

Thread G1: M5-F

Fitting length: 10 mm

Material: Aluminum



FG 5 SI-55 N017

Part no.:10.01.06.00642

Size: 5

Suction cup material: Silicone SI

Material hardness [Shore A]: 55 Shore A

Number of folds: 2.5